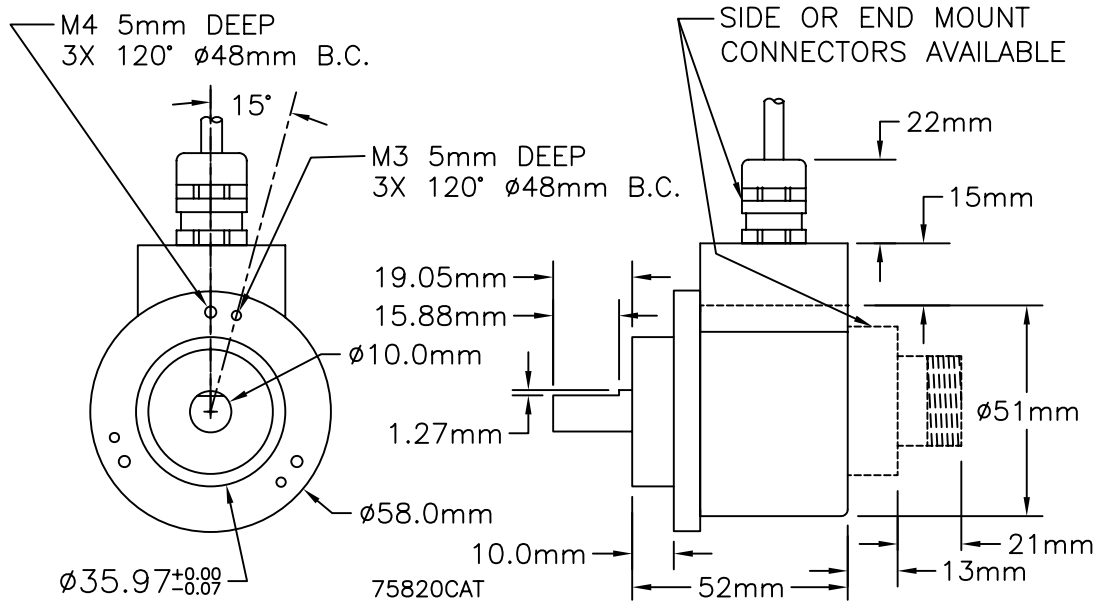



REVISIONS		
LTR	DESCRIPTION	DATE
B	ECO #01335	
C	ECO #01401 BSR	12/20/01
D	ECO #01975 GMA	04/23/04



ISSUE DATE	TOLERANCE	 ENCODER PRODUCTS COMPANY	
NEXT ASSEMBLY	DECIMAL $\pm .005$	INITIAL DATE	NAME AND TITLE
PREV ASSEMBLY	DECIMAL $\pm .01$	DR GDB 7/11/96	MODEL 758 TYPE 20
PART NUMBER	ANGULAR $\pm .1^\circ$	CK	DWG NUMBER
		QC	75820CAT
		MFG	REV. D
		PRJ ENG	DWG SIZE B
			SCALE NONE
			SHEET 1 OF 1

