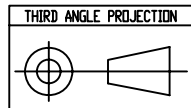
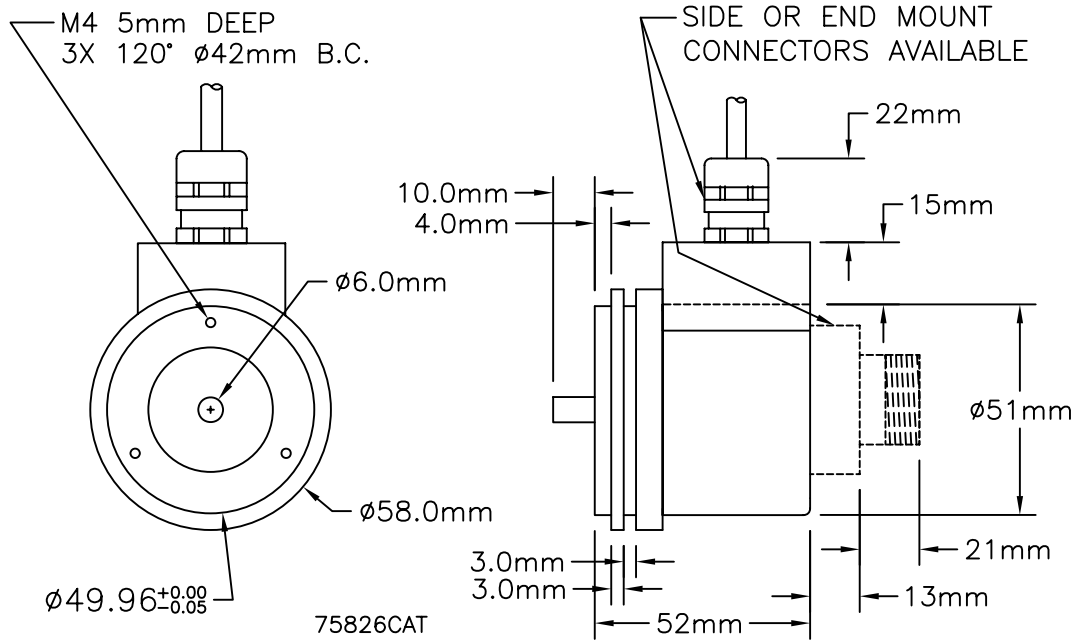



REVISIONS		
LTR	DESCRIPTION	DATE
B	ECO #01185	
C	ECO #01401 BSR	12/20/01
D	ECO #01975 GMA	04/23/04



ISSUE DATE	TOLERANCE	 ENCODER PRODUCTS COMPANY	
NEXT ASSEMBLY	DECIMAL $\pm .005$	INITIAL	DATE
PREV ASSEMBLY	DECIMAL $\pm .01$	DR GDB	1/04/99
PART NUMBER	ANGULAR $\pm .1^\circ$	CK	NAME AND TITLE MODEL 758 TYPE 26
		QC	
		MFG	DWG NUMBER 75826CAT
		PRJ ENG	REV. D
		DWG SIZE B	SCALE NONE
			SHEET 1 OF 1