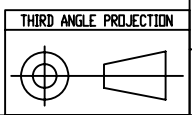
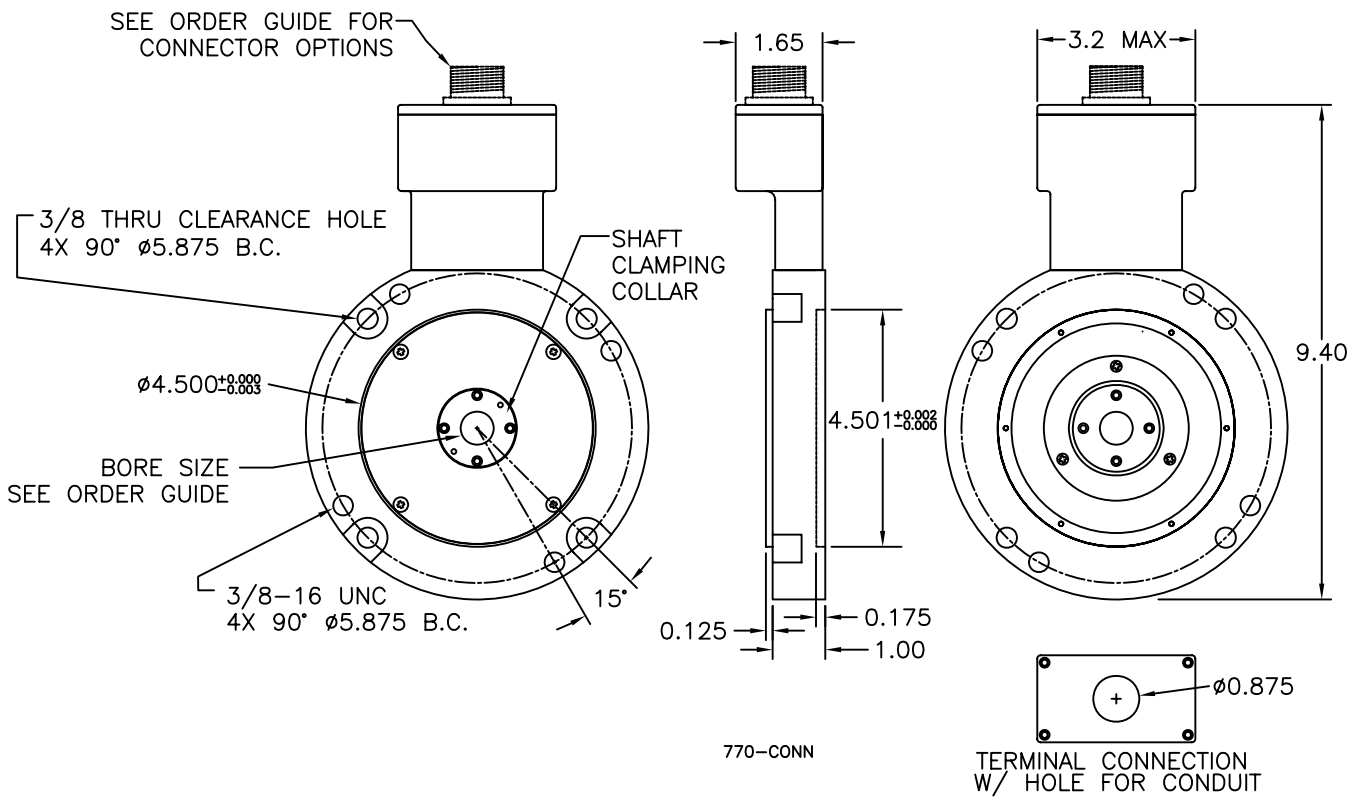


REVISIONS		
LTR	DESCRIPTION	DATE
C	ECO #01645 GMA	01/07/03
D	ECO #01978 GMA	05/14/04
E	ECO #05696 JP	02/17/09



ISSUE DATE 1/11/99	TOLERANCE	ENCODER PRODUCTS COMPANY	
NEXT ASSEMBLY	DECIMAL ± .005	INITIAL DATE DR GDB 1/05/99	NAME AND TITLE MODEL 770 CONNECTOR
PREV ASSEMBLY	DECIMAL ± .01	CK	DWG NUMBER
PART NUMBER	ANGULAR ± .1°	QC	770-CONN
		MFG	REV. E
		PRJ ENG	DWG SIZE B
			SCALE NONE
			SHEET 1 OF 1