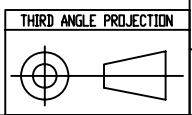
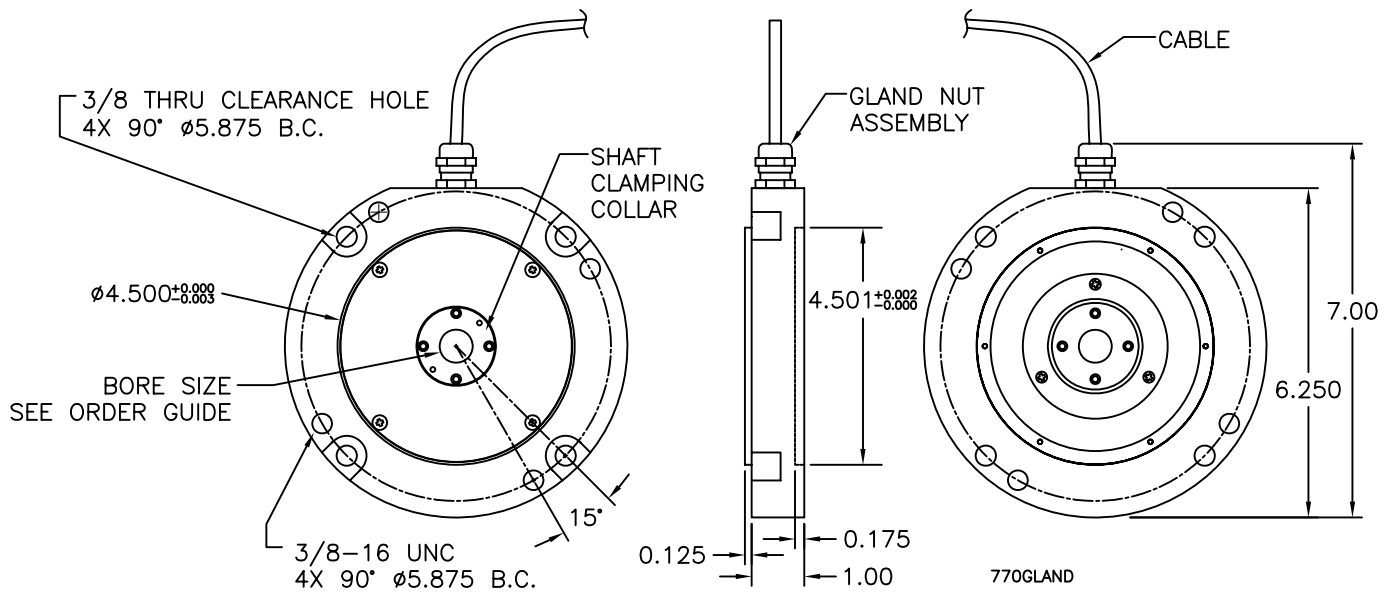



REVISIONS		
LTR	DESCRIPTION	DATE
C	ECO #01335 BSR	10/01/01
D	ECO #01978 GMA	05/14/04
E	ECO #05696 JP	02/17/09



ISSUE DATE 1/11/99	TOLERANCE	 ENCODER PRODUCTS COMPANY	
NEXT ASSEMBLY	DECIMAL $\pm .005$	INITIAL DATE DR GDB 1/05/99	NAME AND TITLE MODEL 770 GLANDNUT
PREV ASSEMBLY	DECIMAL $\pm .01$	CK	DWG NUMBER 770GLAND
PART NUMBER	ANGULAR $\pm .1^\circ$	QC	
		MFG	
		PRJ ENG	DWG SIZE B
			SCALE NONE
			SHEET 1 OF 1