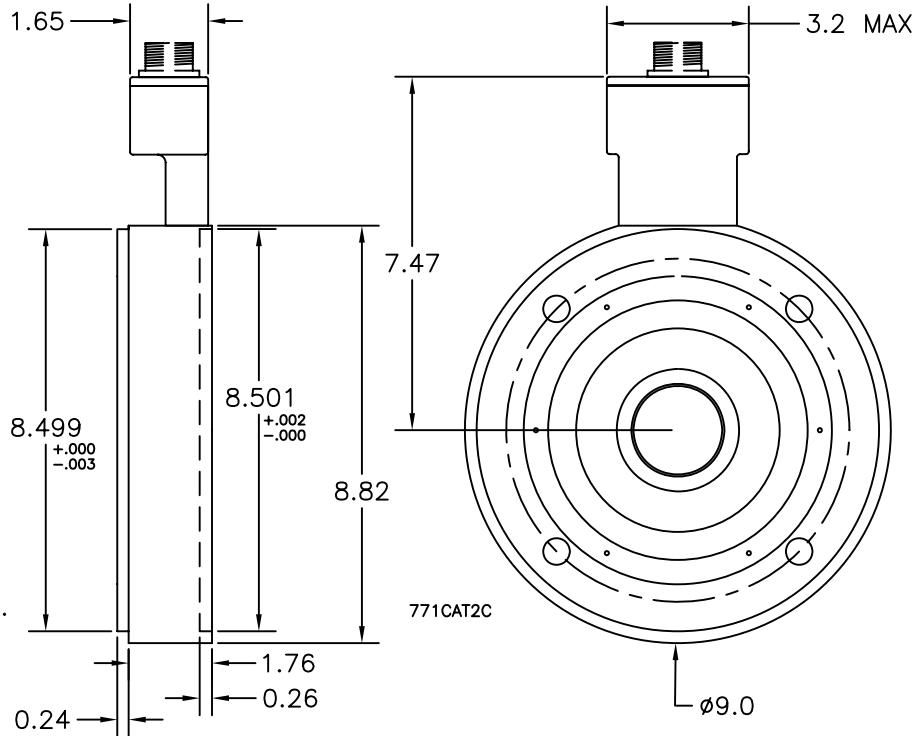
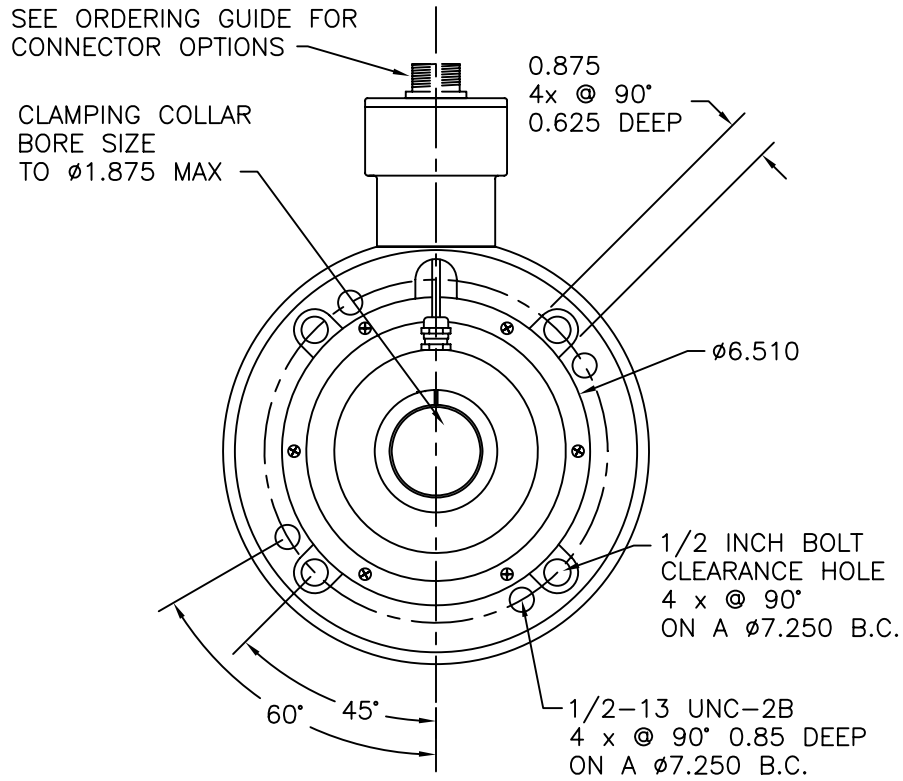


REVISIONS					
LTR	DESCRIPTION	CHK	DATE	APPR	DATE
A	SEE ECO 00519				
B	SEE ECO 01185				
C	ECO 01645 GMA		1/07/03		



ISSUE DATE	TOLERANCE		ENCODER PRODUCTS COMPANY		
NEXT ASSEMBLY	DECIMAL $\pm .005$	INITIAL	DATE	NAME AND TITLE	
PREV ASSEMBLY	DECIMAL $\pm .01$	DR	GDB 8/18/98	CONDUIT BOX CATALOG DRAWING	
PART NUMBER	ANGULAR $\pm .1^\circ$	CK	QC	DWG NUMBER	REV.
		MFG	PRJ ENG	771CAT2	C
		DWG SIZE	B	SCALE	NONE
		SHEET	1	OF	1

