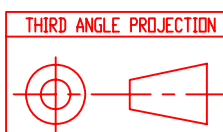
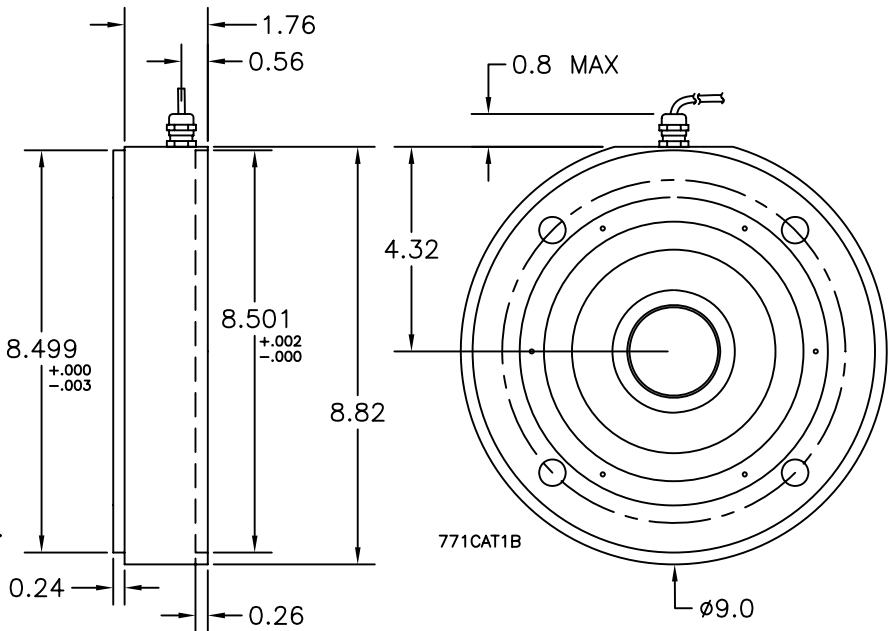
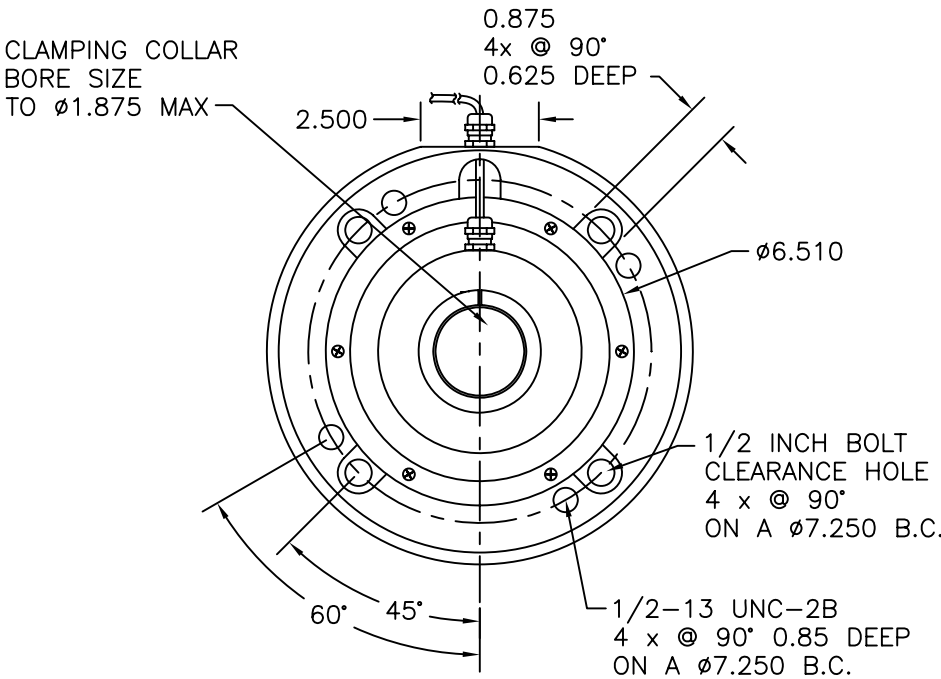



REVISIONS					
LTR	DESCRIPTION	CHK	DATE	APPR	DATE
A	SEE ECO 00519				
B	SEE ECO 01185				



ISSUE DATE	TOLERANCE	 ENCODER PRODUCTS COMPANY			
NEXT ASSEMBLY	DECIMAL $\pm .005$	INITIAL	DATE	NAME AND TITLE	
PREV ASSEMBLY	DECIMAL $\pm .01$	DR	GDB 8/18/98	GLAND NUT CATALOG DRAWING	
PART NUMBER	ANGULAR $\pm .1^\circ$	CK	QC	DWG NUMBER	REV.
		MFG	PRJ ENG	771CAT1	B
		DWG SIZE	SCALE	SHEET	OF