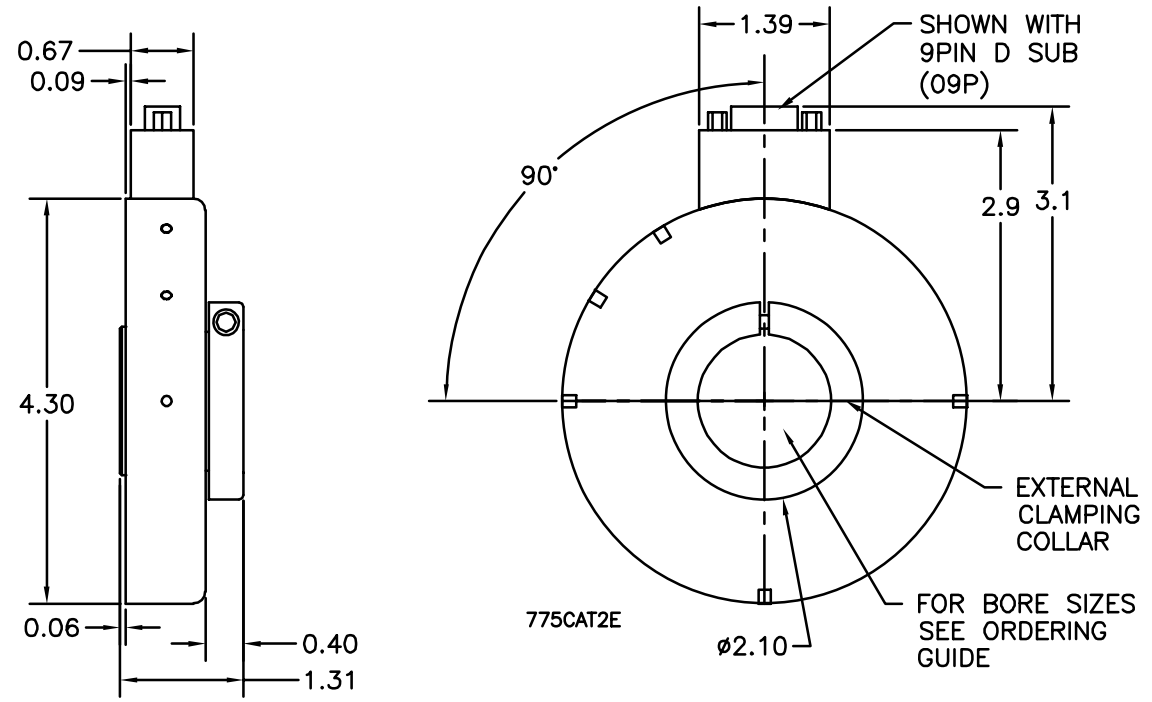


REVISIONS					
LTR	DESCRIPTION	CHK	DATE	APPR	DATE
0	INITIAL CATALOG RELEASE				
A	1999 CATALOG ECO 00632				
B	SEE ECO 00688				
C	SEE ECO-01020 GDB 8/29/00				
D	SEE ECO 01185				
E	ECO 01567 BSR 9/17/02				



ISSUE DATE 3/26/99	TOLERANCE	ENCODER PRODUCTS COMPANY			
NEXT ASSEMBLY	DECIMAL ± .005	INITIAL	DATE	NAME AND TITLE	
PREV ASSEMBLY	DECIMAL ± .01	DR GDB	3/26/99	775 D-SUB CUSTOMER DRAWING	
PART NUMBER	ANGULAR ± .1°	CK	QC	DWG NUMBER	REV.
		MFG		775CAT2	E
		FW ENG		DWG SIZE	SCALE
					SHEET OF

