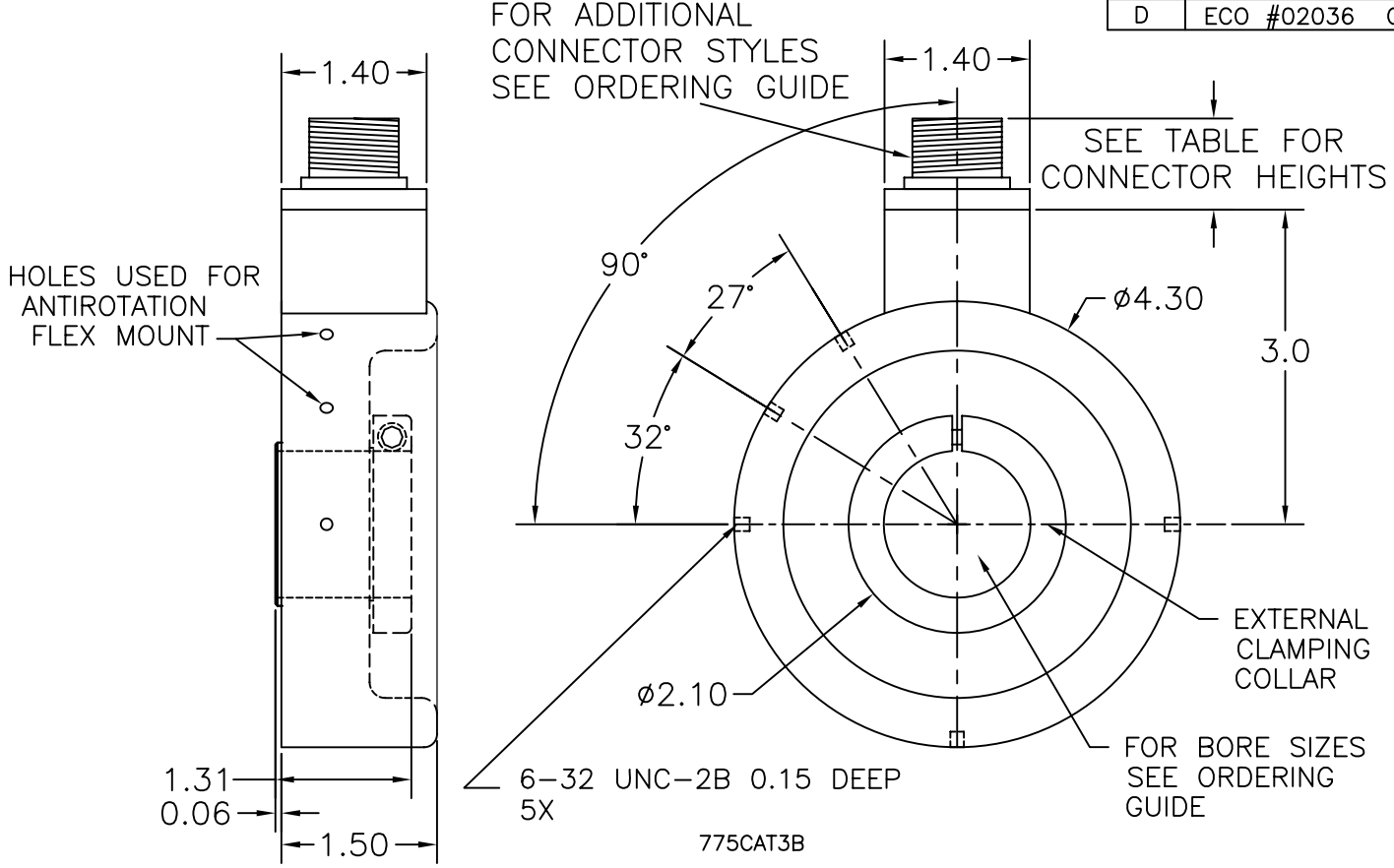
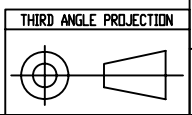


REVISIONS		
LTR	DESCRIPTION	DATE
A	ECO #01185	
B	ECO #01567	
C	ECO #01967 GMA	04/14/04
D	ECO #02036 GMA	07/01/04



CONNECTOR TYPE	HEIGHT
6- or 7-PIN MS	0.67"
10-PIN MS	0.90"
5- or 8-PIN M12	0.50"



ISSUE DATE 3/26/99	TOLERANCE	ENCODER PRODUCTS COMPANY	
NEXT ASSEMBLY	DECIMAL ± .005	INITIAL DATE DR GDB 9/08/00	NAME AND TITLE MODEL 775 CONNECTOR HOUSING
PREV ASSEMBLY	DECIMAL ± .01	CK	DWG NUMBER
PART NUMBER	ANGULAR ± .1°	QC	775CAT3
		MFG	REV. D
		PRJ ENG	DWG SIZE B
			SCALE NONE
			SHEET 1 OF 1