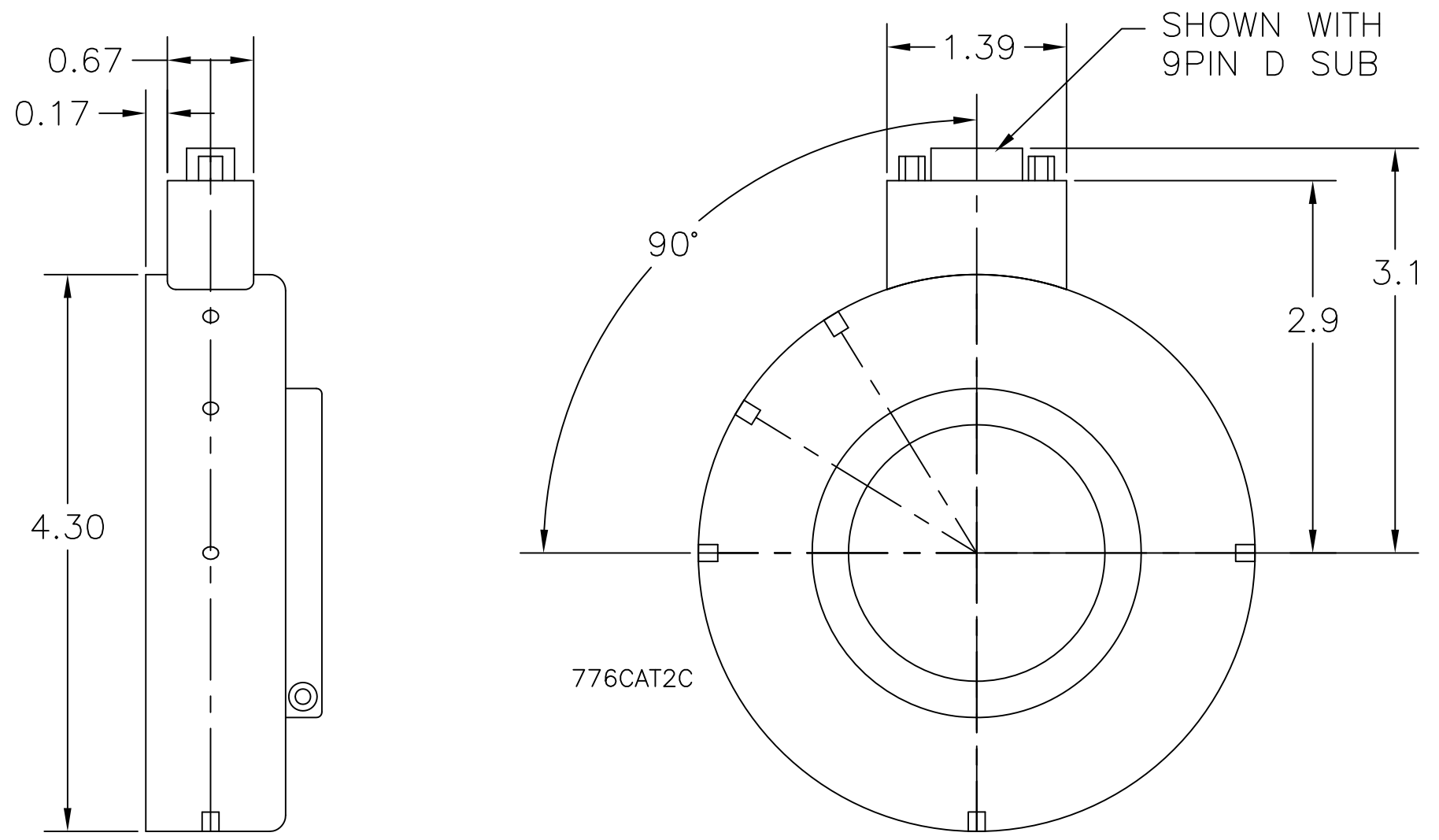


REVISIONS					
LTR	DESCRIPTON	CHK	DATE	APPR	DATE
0	INITIAL CATALOG RELEASE				
A	1999 CATALOG RELEASE				
B	SEE ECO 01020 GDB 9/7/00				
C	SEE ECO 01185				



ISSUE DATE 1/25/99	TOLERANCE	ENCODER PRODUCTS COMPANY			
NEXT ASSEMBLY	DECIMAL ± .005	INITIAL DR GDB	DATE 1/20/99	NAME AND TITLE 776 D-SUB CUSTOMER DRAWING	
PREV ASSEMBLY	DECIMAL ± .01	CK	QC	DWG NUMBER 776CAT2	REV. C
PART NUMBER	ANGULAR ± .1°	MFG	PRJ ENG	DWG SIZE	SCALE
				SHEET	OF

