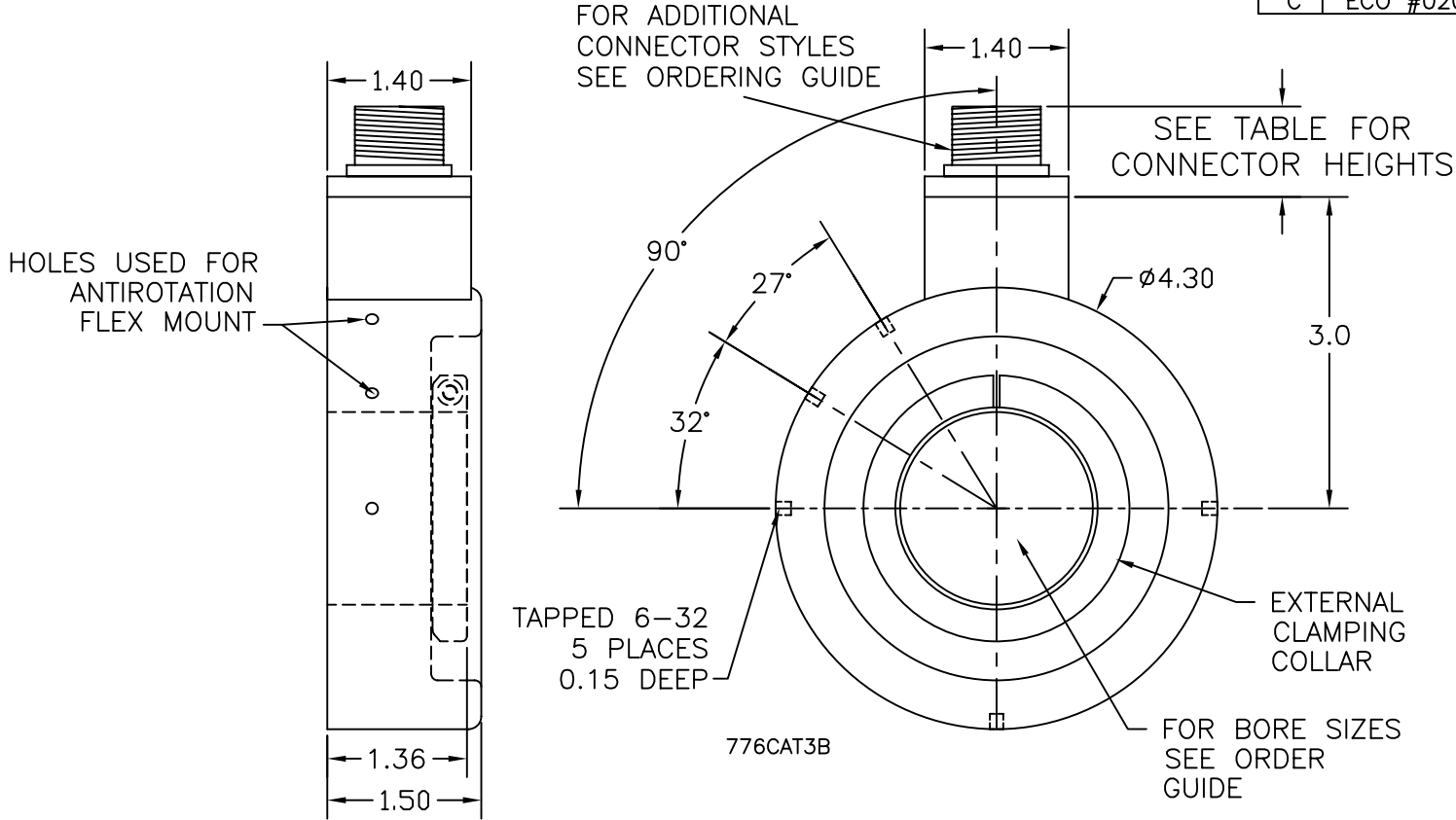


REVISIONS		
LTR	DESCRIPTION	DATE
-	INITIAL CATALOG RELEASE	
A	ECO 01185	
B	ECO 01567 BSR 9/17/02	
C	ECO #02036 GMA	07/01/04



CONNECTOR TYPE	HEIGHT
6- or 7-PIN MS	0.67"
10-PIN MS	0.90"
5- or 8-PIN M12	0.50"

ISSUE DATE 3/26/99	TOLERANCE	ENCODER PRODUCTS COMPANY	
NEXT ASSEMBLY	DECIMAL ± .005	INITIAL DATE DR GDB 9/8/00	NAME AND TITLE 776 CONNECTOR HOUSING
PREV ASSEMBLY	DECIMAL ± .01	CK	DWG NUMBER 776CAT3
PART NUMBER	ANGULAR ± .1°	QC	
		MFG	REV. C
		PRJ ENG	DWG SIZE B
			SCALE NONE
			SHEET 1 OF 1

