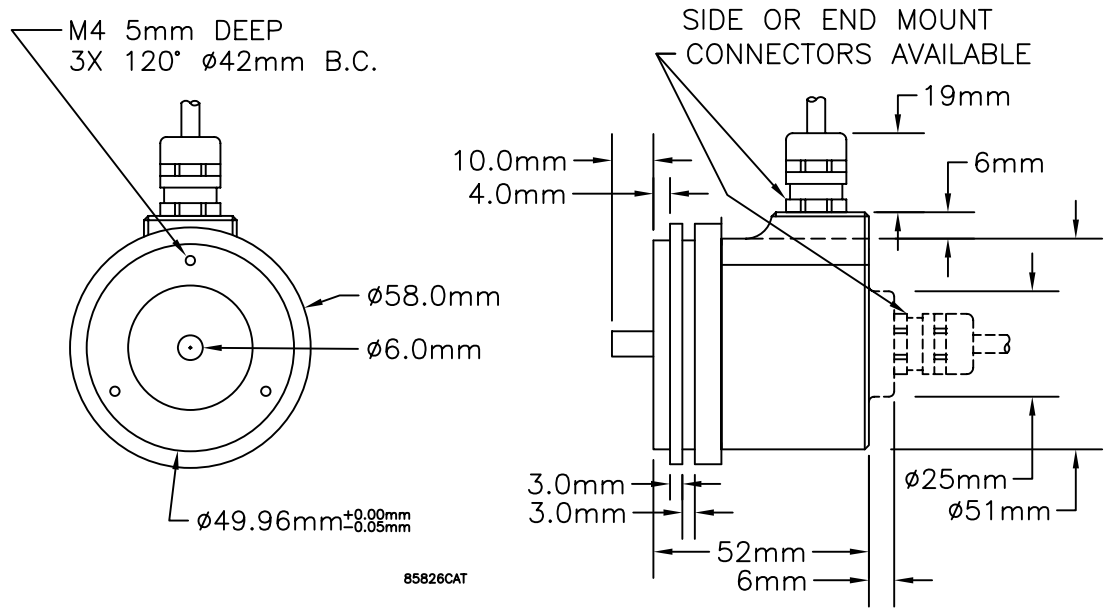



REVISIONS		
LTR	DESCRIPTION	DATE
-	INITIAL RELEASE	
A	ECO #01954 GMA	03/19/04
B	ECO #02672 GMA	09/22/06



ISSUE DATE	TOLERANCE	 ENCODER PRODUCTS COMPANY	
NEXT ASSEMBLY	DECIMAL $\pm .13$	INITIAL DATE DR SBR 5/12/03	NAME AND TITLE 858 TYPE 26
PREV ASSEMBLY	DECIMAL $\pm .2$	CK	DWG NUMBER 85826CAT
PART NUMBER	ANGULAR $\pm .1^\circ$	QC	REV. B
		MFG	
		PRJ ENG	DWG SIZE B
			SCALE NONE
			SHEET 1 OF 1