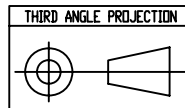
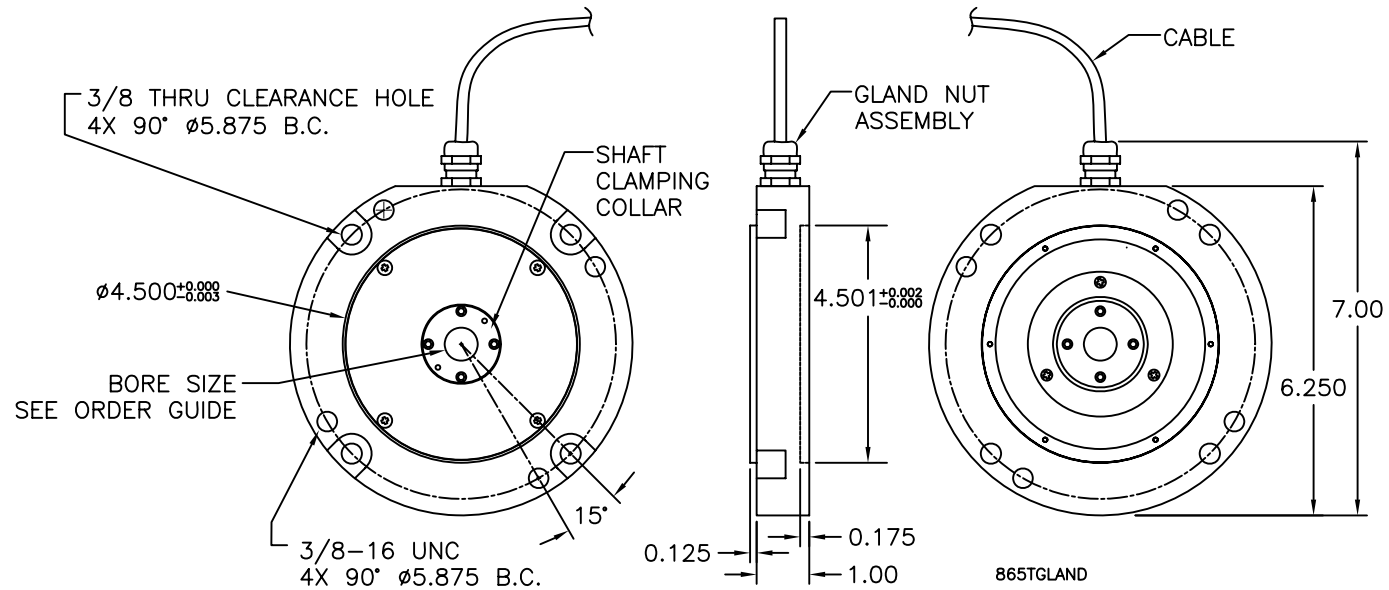



REVISIONS		
LTR	DESCRIPTION	DATE
-	INITIAL RELEASE PER ECO 05696 JP	02/17/09



ISSUE DATE 02/17/09	TOLERANCE	 ENCODER PRODUCTS COMPANY	
NEXT ASSEMBLY	DECIMAL ± .005	INITIAL DATE DR JP 02/17/09	NAME AND TITLE MODEL 865T GLANDNUT
PREV ASSEMBLY	DECIMAL ± .01	CK	DWG NUMBER 865TGLAND
PART NUMBER	ANGULAR ± .1°	QC	
		MFG	
		PRJ ENG	
		DWG SIZE B	SCALE NONE
			SHEET 1 OF 1