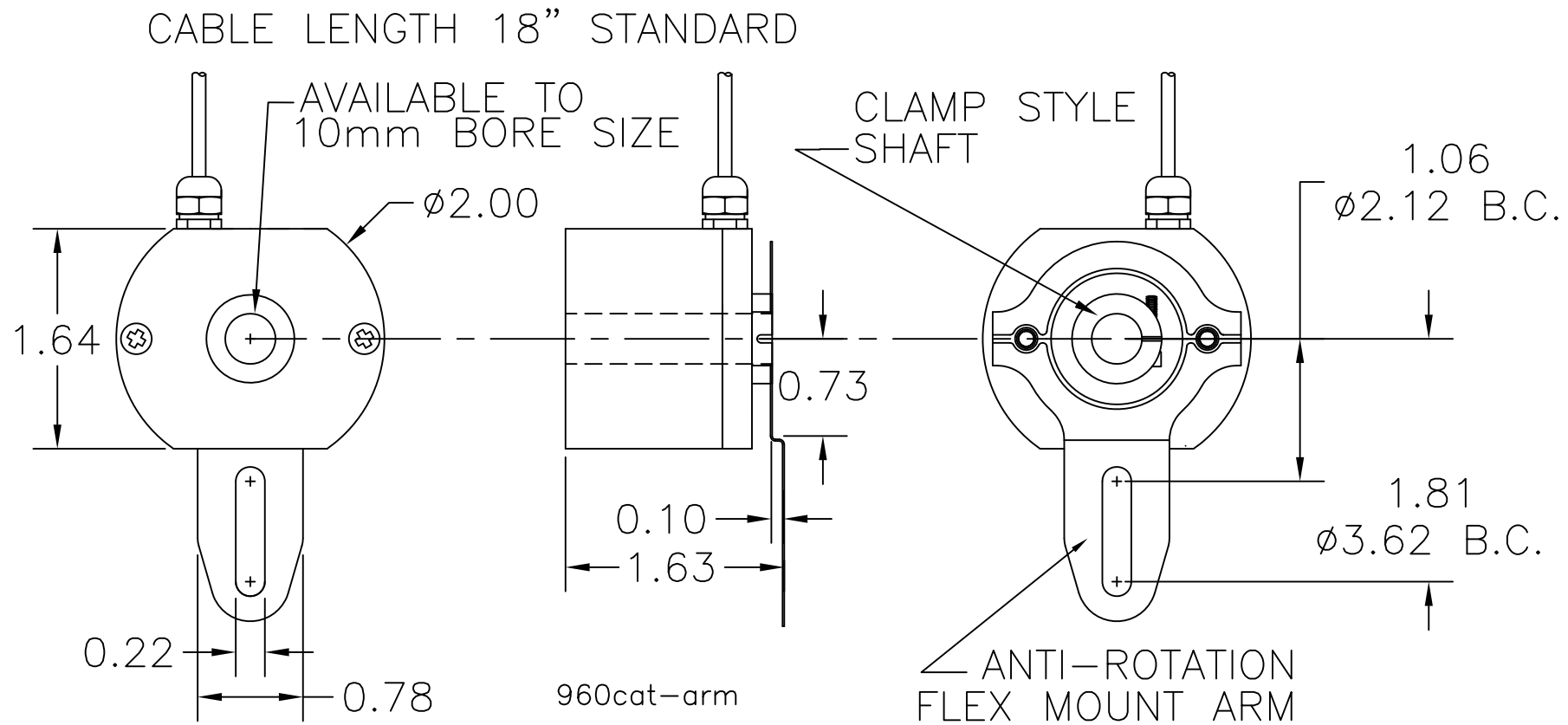



REVISIONS		
LTR	DESCRIPTION	DATE
-	INITIAL RELEASE	
A	ECO #01960 GMA	03/31/04
B	ECO #07284 GMA	10/02/17



ISSUE DATE 05/16/03	TOLERANCE	 ENCODER PRODUCTS COMPANY	
NEXT ASSEMBLY	DECIMAL $\pm .005$	INITIAL DATE DR BSR 05/16/03	NAME AND TITLE MODEL 960 AR FLEX MOUNT
PREV ASSEMBLY	DECIMAL $\pm .01$	CK	DWG NUMBER
PART NUMBER	ANGULAR $\pm .1^\circ$	QC	960cat-arm
		MFG	REV. B
		PRJ ENG	DWG SIZE B
			SCALE NONE
			SHEET 1 OF 1