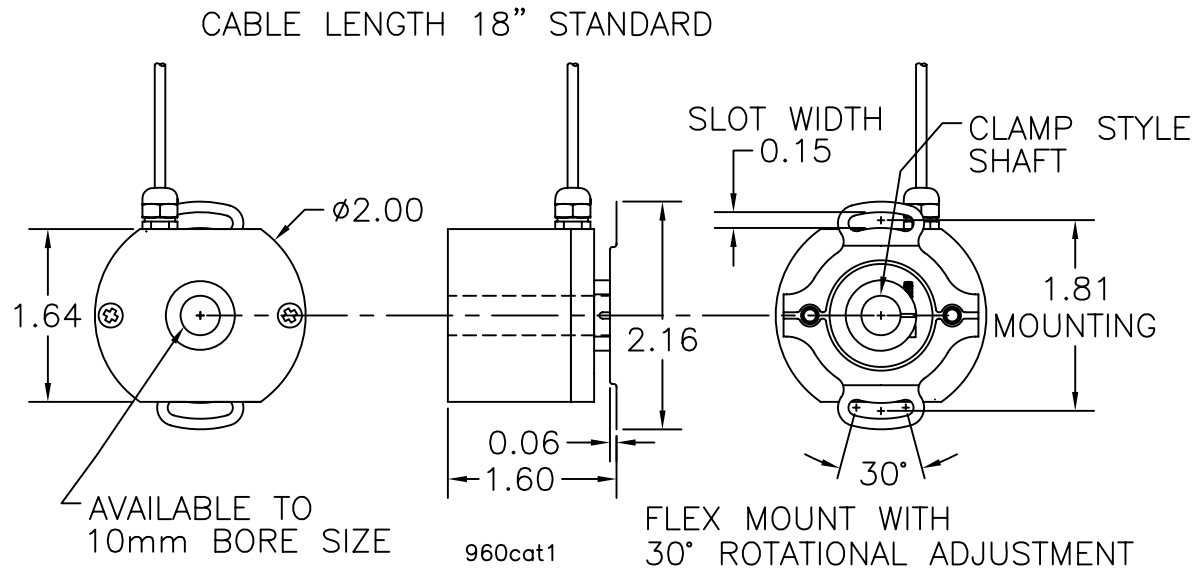



REVISIONS		
LTR	DESCRIPTION	DATE
-	INITIAL RELEASE	
A	ECO #01960 GMA	04/05/04



ISSUE DATE 05/16/03	TOLERANCE	 ENCODER PRODUCTS COMPANY	
NEXT ASSEMBLY	DECIMAL ± .005	INITIAL DATE DR BSR 05/16/03	NAME AND TITLE MODEL 960 FLEX MOUNT
PREV ASSEMBLY	DECIMAL ± .01	CK	DWG NUMBER 960cat1
PART NUMBER	ANGULAR ± .1°	QC	REV. A
		MFG	
		PRJ ENG	DWG SIZE B
			SCALE NONE
			SHEET 1 OF 1