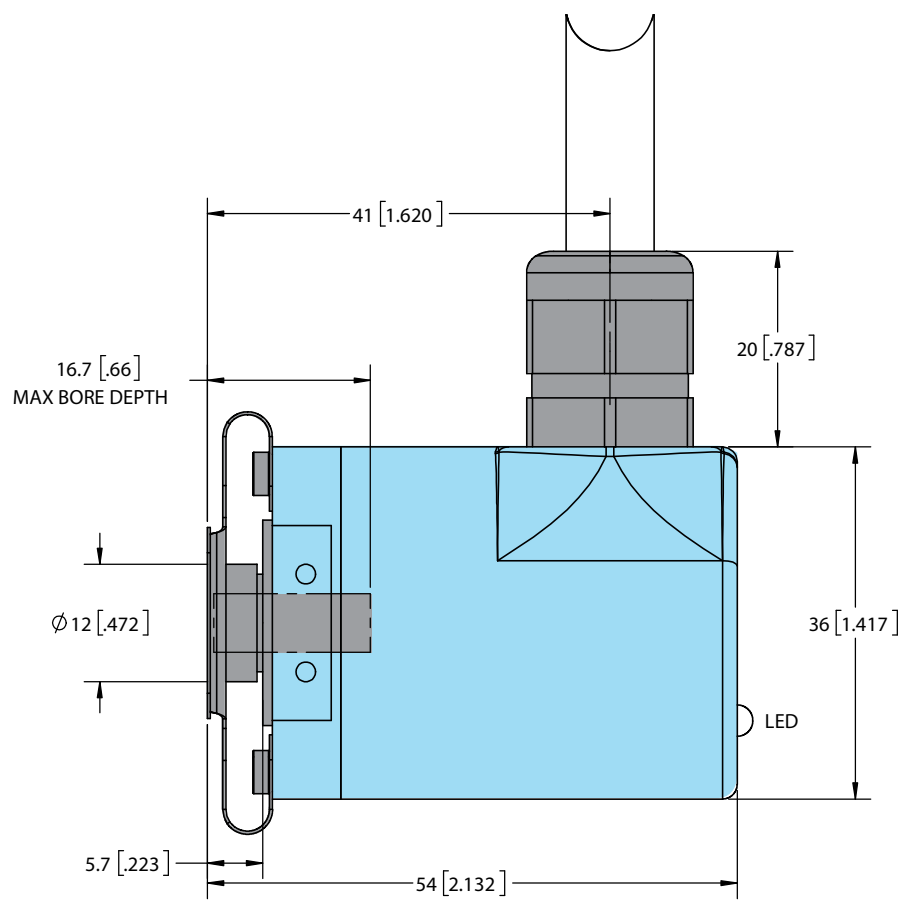
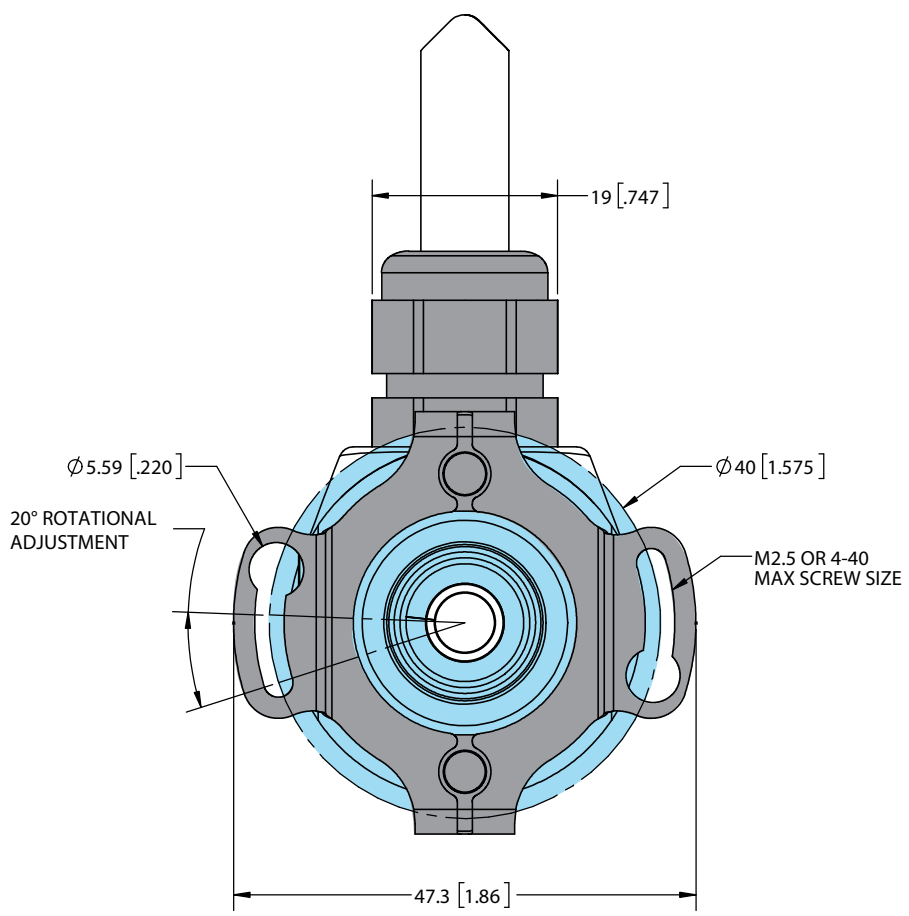


REVISIONS			
REV.	DESCRIPTION	APPR.	DATE
A	INITIAL RELEASE - JP	08200	10/17/2023



NOTES: UNLESS OTHERWISE SPECIFIED

1. PRIMARY DIMENSIONS ARE IN MM, SECONDARY DIMENSIONS [INCHES] IN BRACKETS FOR REFERENCE ONLY.

THIRD ANGLE PROJECTION		APPROVALS		DATE		NAME AND TITLE	
		DRAWN	MJW	DATE	1/31/22	MODEL A36HB 2PT 40MM FLEX MOUNT RADIAL EXIT	
DIMENSIONS ARE IN MM		CHECKED				DWG. NO.	
ISSUE DATE:	1/17/2023	TOLERANCES				a36hb-sdflex-radial	
NEXT ASSEM.	DECIMAL ± .13	RESP ENG				REV.	A
PREV ASSEM.	DECIMAL ± .3	MFG ENG				SCALE:	NONE
PART NUMBER	ANGULAR ± 1	QUAL ENG				DWG. SIZE:	B
						SHEET 1 OF 1	

ENCODER PRODUCTS COMPANY www.encoder.com