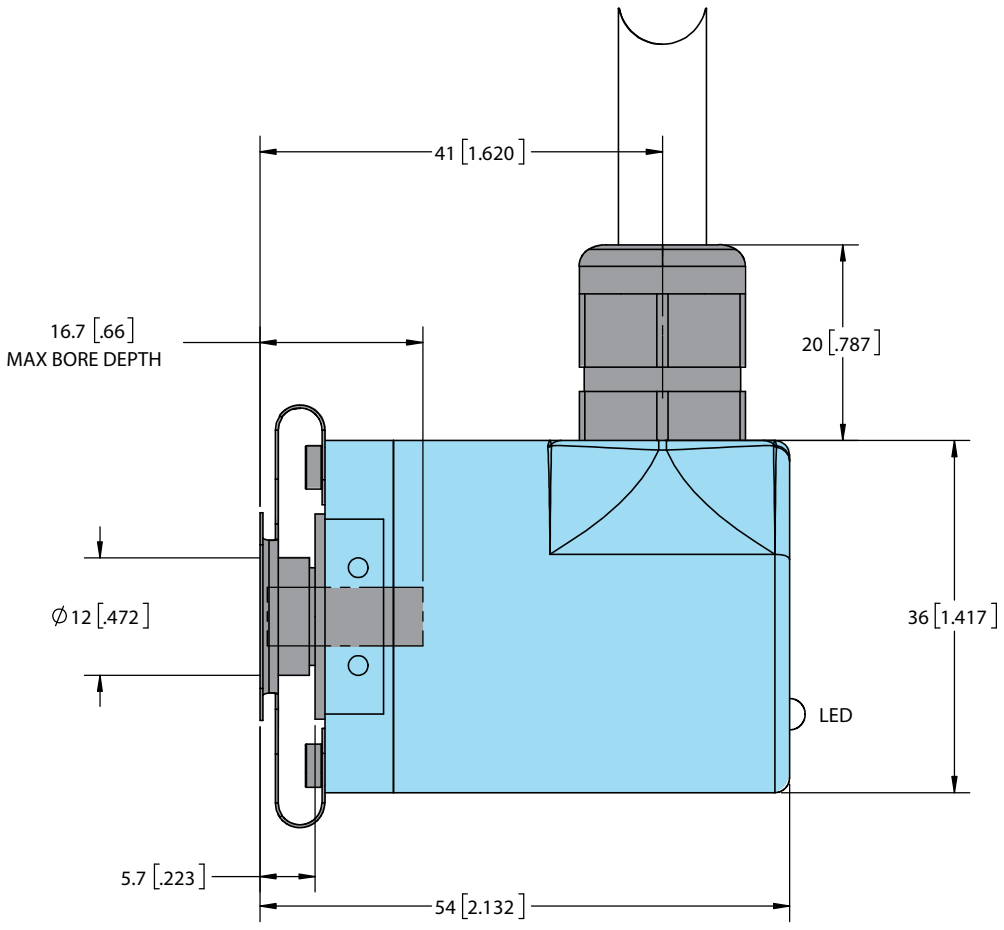
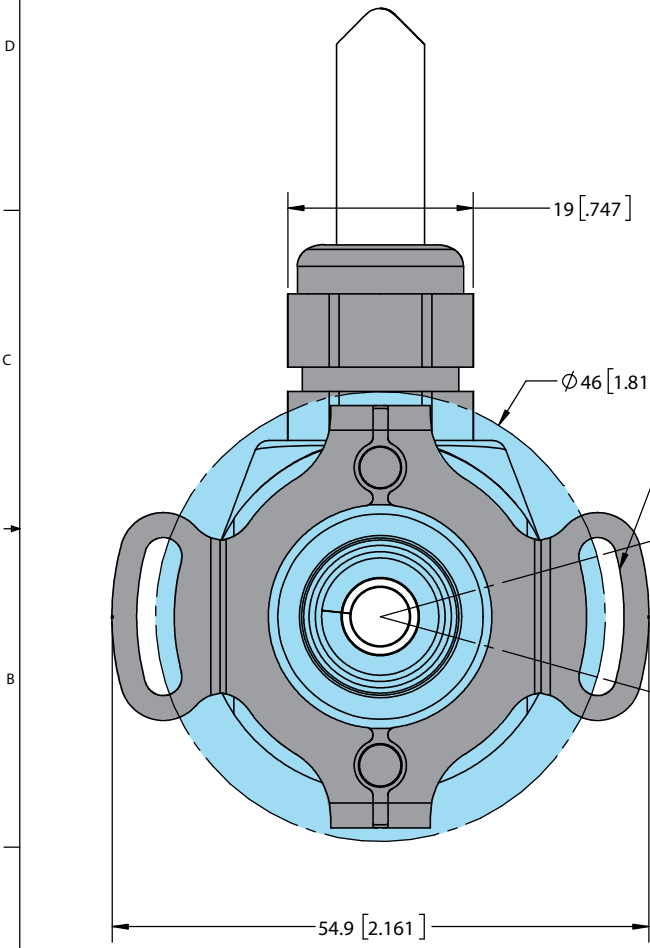


REVISIONS			
REV.	DESCRIPTION	APPR.	DATE
A	INITIAL RELEASE - JP	08200	1/17/2023



NOTES: UNLESS OTHERWISE SPECIFIED

1. PRIMARY DIMENSIONS IN MM, SECONDARY DIMENSIONS [INCHES] IN BRACKETS FOR REFERENCE ONLY.

THIRD ANGLE PROJECTION		APPROVALS		DATE	NAME AND TITLE	
			ENCODER	1/31/22	www.encoder.com	
DIMENSIONS ARE IN MM		DRAWN	MJW	CHECKED	MODEL A36HB 2 PT 46MM FLEX MOUNT RADIAL EXIT	
ISSUE DATE:	1/17/2023	TOLERANCES	DECIMAL	± .13	RESP ENG	DWG. NO.
PREV ASSEM.	DECIMAL	± .3	MFG ENG	QUAL ENG	a36hb-sfflex-radial	
PART NUMBER	ANGULAR	± 1	SCALE:	NONE	DWG. SIZE:	B
						SHEET 1 OF 1