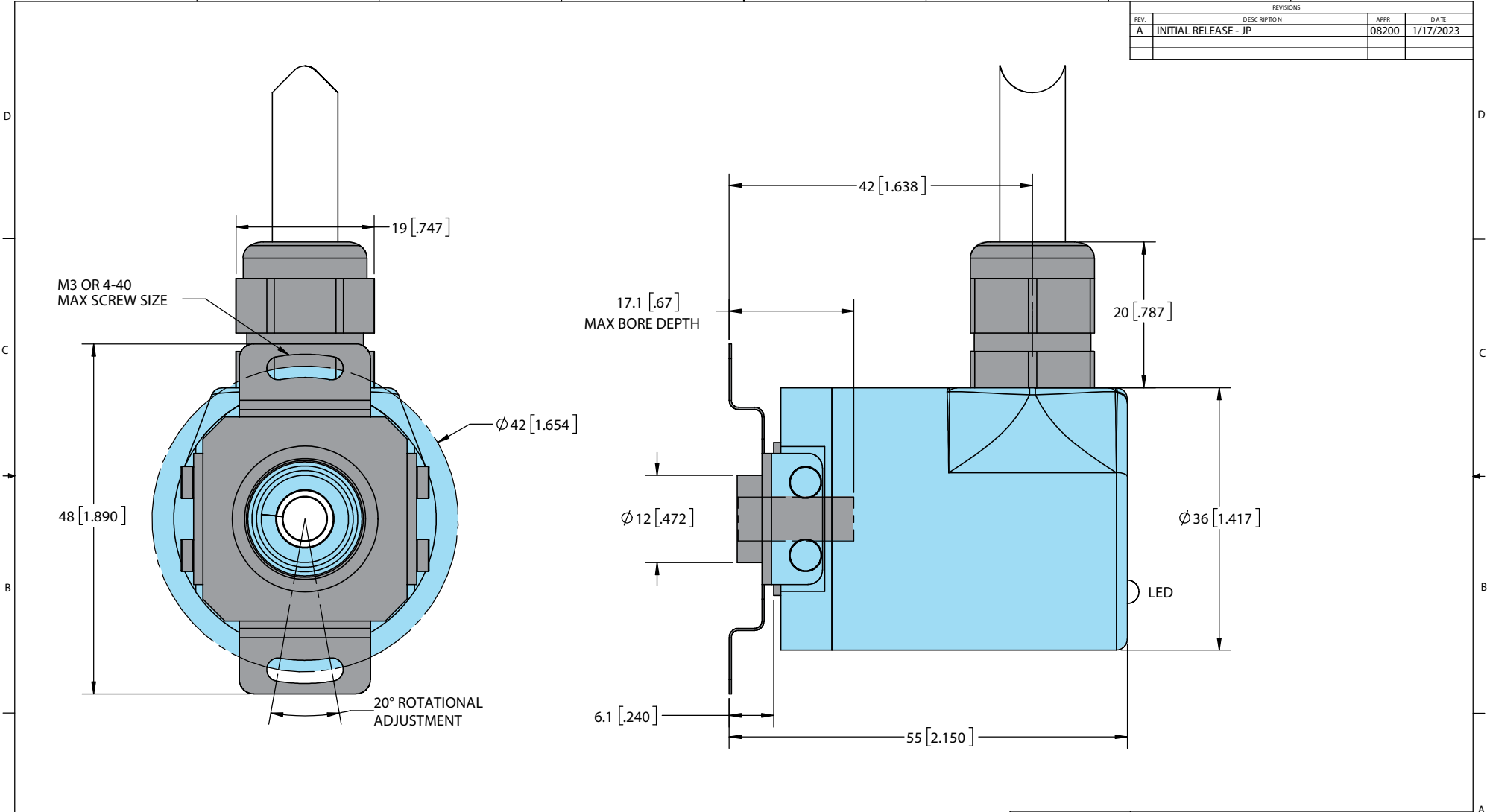


REVISIONS			
REV.	DESCRIPTION	APPR.	DATE
A	INITIAL RELEASE - JP	08200	1/17/2023



NOTES: UNLESS OTHERWISE SPECIFIED

1. PRIMARY DIMENSIONS ARE IN MM, SECONDARY DIMENSIONS [INCHES] IN BRACKETS FOR REFERENCE ONLY.

THIRD ANGLE PROJECTION		APPROVALS		DATE		NAME AND TITLE	
		DRAWN	MJW	DATE	1/31/22	MODEL A36HB 2PT 42MM FLEX MOUNT RADIAL EXIT	
DIMENSIONS ARE IN MM		CHECKED				DWG. NO.	
ISSUE DATE:	1/17/2023	TOLERANCES		RESP ENG		a36hb-swflex-radial	
NEXT ASSEM.	DECIMAL ± .13	DECIMAL	± .3	MFG ENG		SCALE:	NONE
PREV ASSEM.	DECIMAL ± .3	ANGULAR	± 1	QUAL ENG		DWG. SIZE:	B
PART NUMBER						SHEET	1 OF 1

ENCODER PRODUCTS COMPANY www.encoder.com