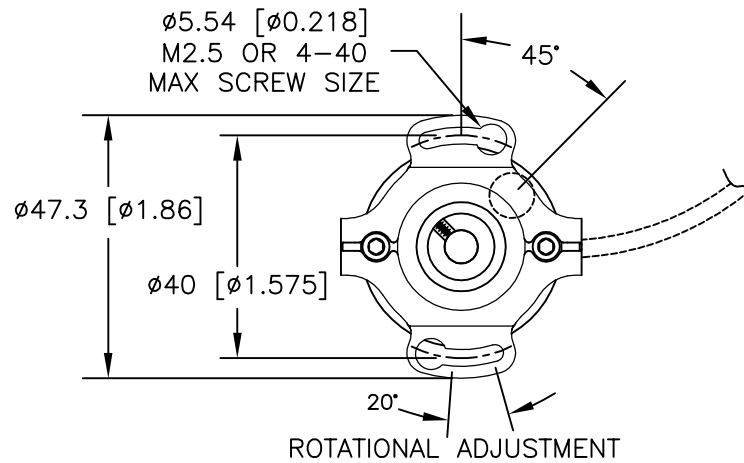



REVISIONS		
LTR	DESCRIPTION	DATE
-	INITIAL RELEASE	2/01/11
A	PRIMARY DIM CHANGED TO METRIC ECO 07578	2/25/19
B	ADDED STANDARD TOLERANCES ECO 07938	2/16/2021



NOTE:
 Primary dimensions are in mm,
 secondary dimensions [inches] in
 brackets for reference only.

ISSUE DATE 02/01/11	TOLERANCE	 ENCODER PRODUCTS COMPANY		www.encoder.com	
NEXT ASSEMBLY	DECIMAL $\pm .13$	INITIAL DATE	NAME AND TITLE		
PREV ASSEMBLY	DECIMAL $\pm .3$	DR GMA 1/19/11	MODEL A36HB 2 PT 40MM FLEX MOUNT		
PART NUMBER	ANGULAR ± 1	CK	DWG NUMBER		REV. B
		QC			
		MFG	A36HB-SDFLEX		
		PRJ ENG			