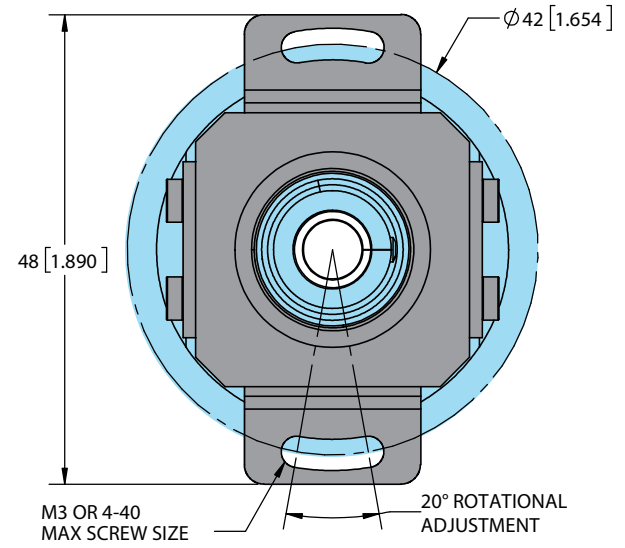
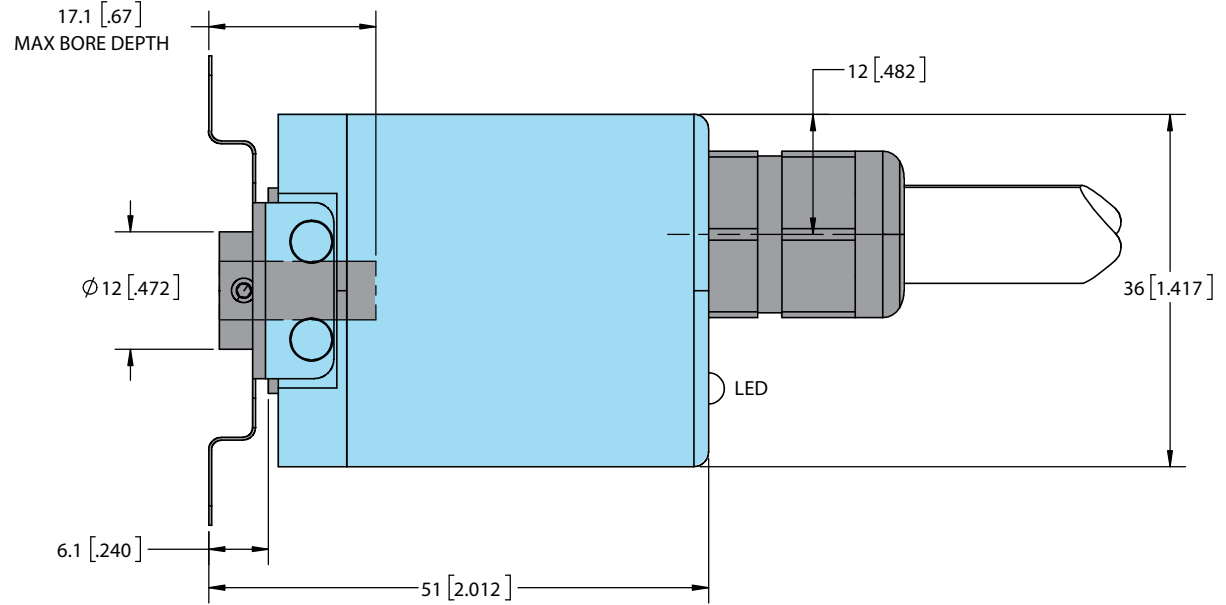
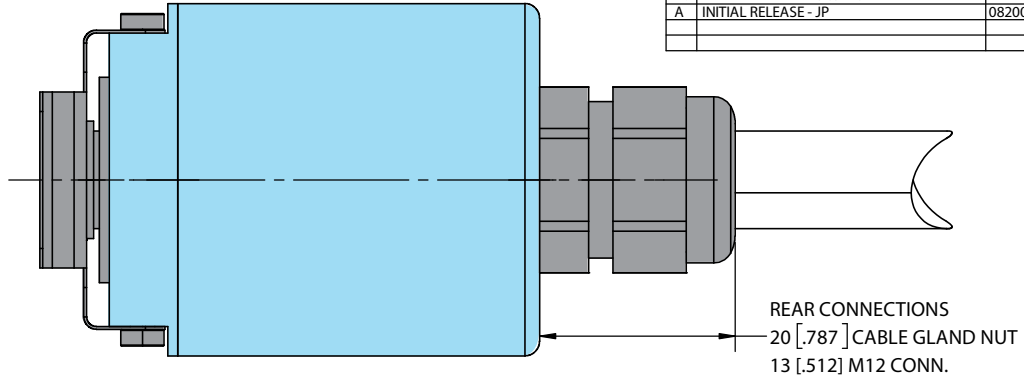


REVISIONS			
REV.	DESCRIPTION	APPR.	DATE
A	INITIAL RELEASE - JP	08200	1/17/2023



NOTES: UNLESS OTHERWISE SPECIFIED

- PRIMARY DIMENSIONS ARE IN MM, SECONDARY DIMENSIONS [INCHES] IN BRACKETS FOR REFERENCE ONLY.

THIRD ANGLE PROJECTION		ENCODER PRODUCTS COMPANY		www.encoder.com	
APPROVALS		DATE		NAME AND TITLE	
DRAWN MJW		1/31/22		MODEL A36HB 2 PT 42MM FLEX MOUNT AXIAL EXIT	
ISSUE DATE: 1/17/2023		TOLERANCES		DWG. NO.	
NEXT ASSEM.	DECIMAL ± .13	RESP ENG		a36hb-swflex-axial	
PREV ASSEM.	DECIMAL ± .3	MFG ENG		SCALE: NONE	REV. A
PART NUMBER	ANGULAR ± 1	QUAL ENG		DWG. SIZE: B	SHEET 1 OF 1