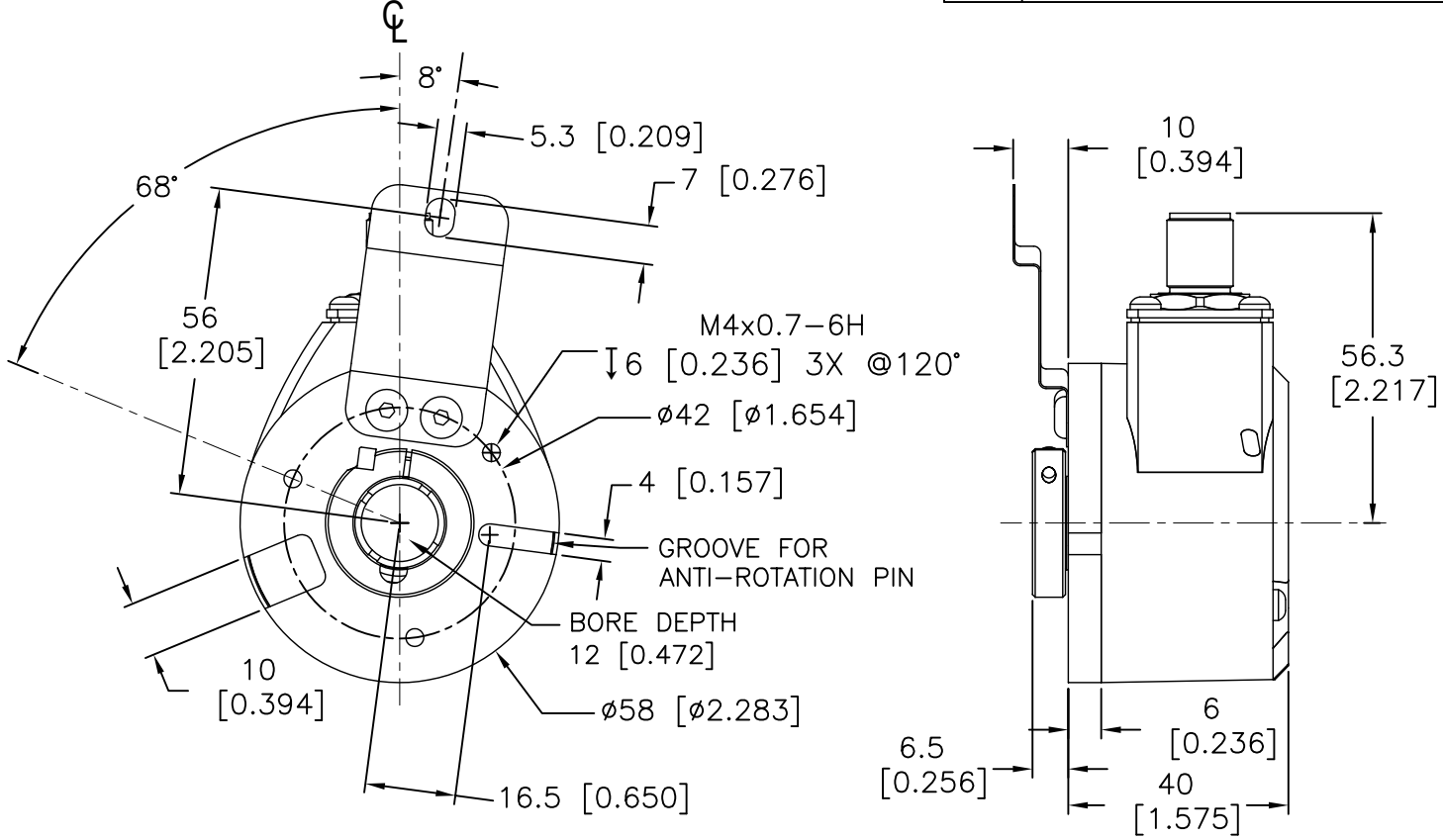



REVISIONS		
LTR	DESCRIPTION	DATE
A	PRIMARY DIM CHANGED TO METRIC ECO07578	2/25/19
B	ADDED STANDARD TOLERANCE ECO 07938	2/16/2021



NOTE:  
 Primary dimensions are in mm,  
 secondary dimensions [inches] in  
 brackets for reference only.

ISSUE DATE 3/16/17	TOLERANCE		www.encoder.com		
NEXT ASSEMBLY	DECIMAL $\pm .13$		INITIAL DATE DR GMA 3/3/17	NAME AND TITLE MODEL A58HB 108MM FLEX ARM	
PREV ASSEMBLY	DECIMAL $\pm .3$	CK	DWG NUMBER A58HB-SQFLEX		
PART NUMBER	ANGULAR $\pm 1$	QC			REV. B
		MFG ENG	DWG SIZE B	SCALE NONE	SHEET 1 OF 1
		PRJ ENG			