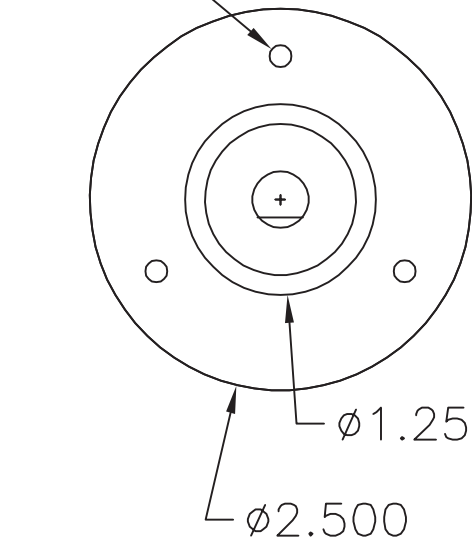


REVISIONS

LTR	DESCRIPTION	DATE
-	INITAIL RELEASE	

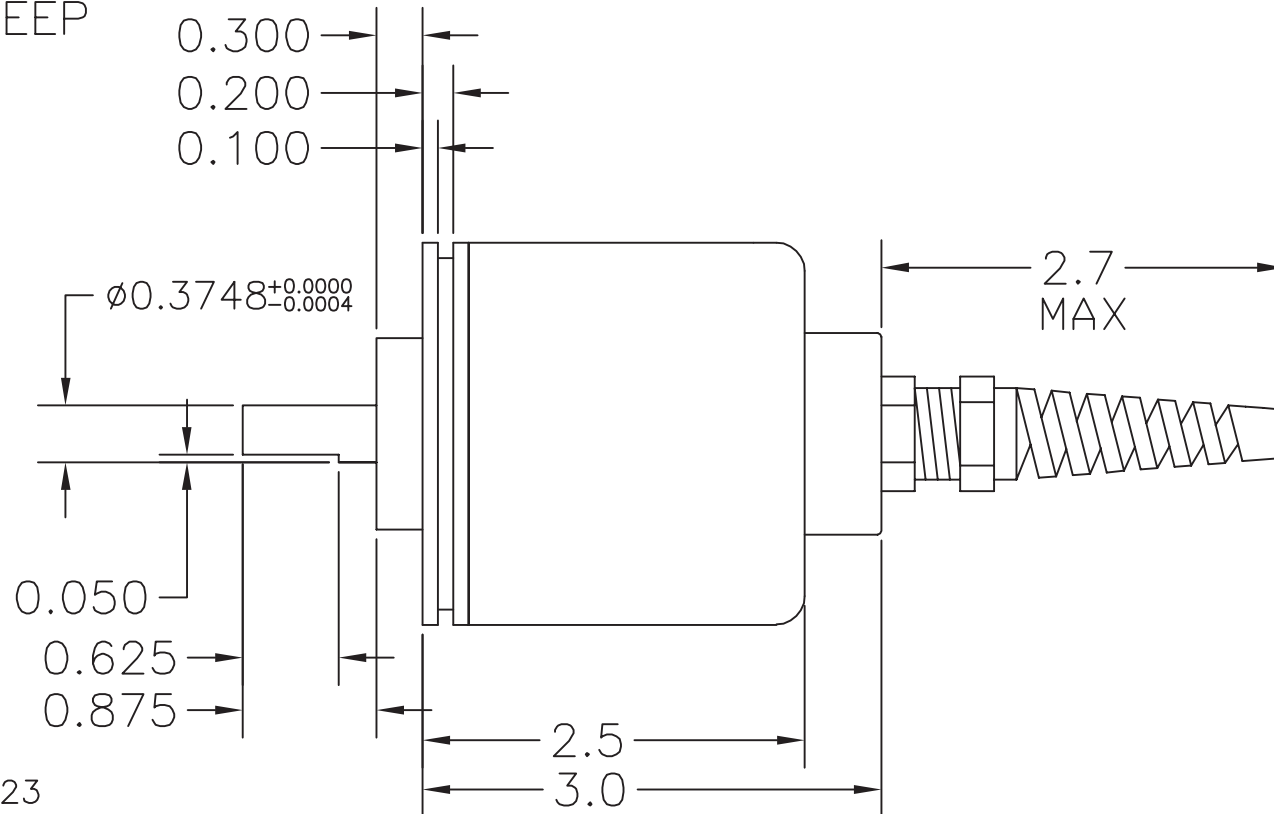
10-32 UNF-2B 0.50 DEEP
3X 120° ϕ 1.875 B.C.



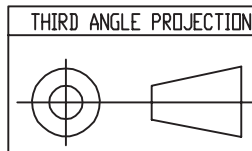
ϕ 1.250 \pm 0.0001

ϕ 2.500

DR323



WIRING LIST	
WIRE COLOR	FUNCTION
BROWN	OUTPUT
WHITE	+VDC
BLACK	GROUND
BARE	SHIELD



ISSUE DATE 8/28/06	TOLERANCE		ENCODER PRODUCTS COMPANY	
NEXT ASSEMBLY	DECIMAL \pm .005	INITIAL DR TLM	DATE 8/28/06	NAME AND TITLE MODEL DR323 SERVO MOUNT
PREV ASSEMBLY	DECIMAL \pm .01	CK	QC	DWG NUMBER DR323
PART NUMBER	ANGULAR \pm .1°	MFG	PRJ ENG	REV. —
		DWG SIZE B	SCALE NONE	SHEET 1 OF 1