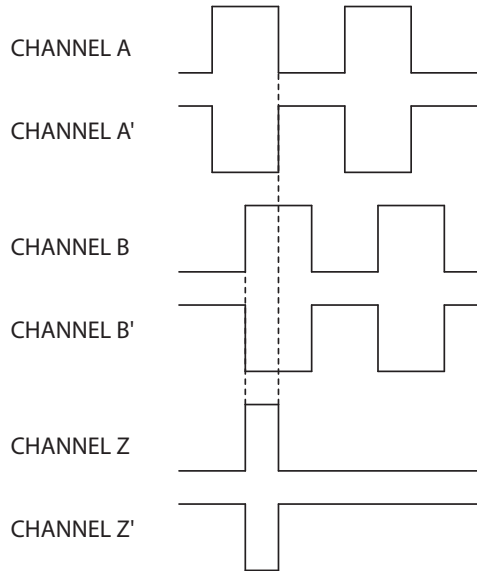
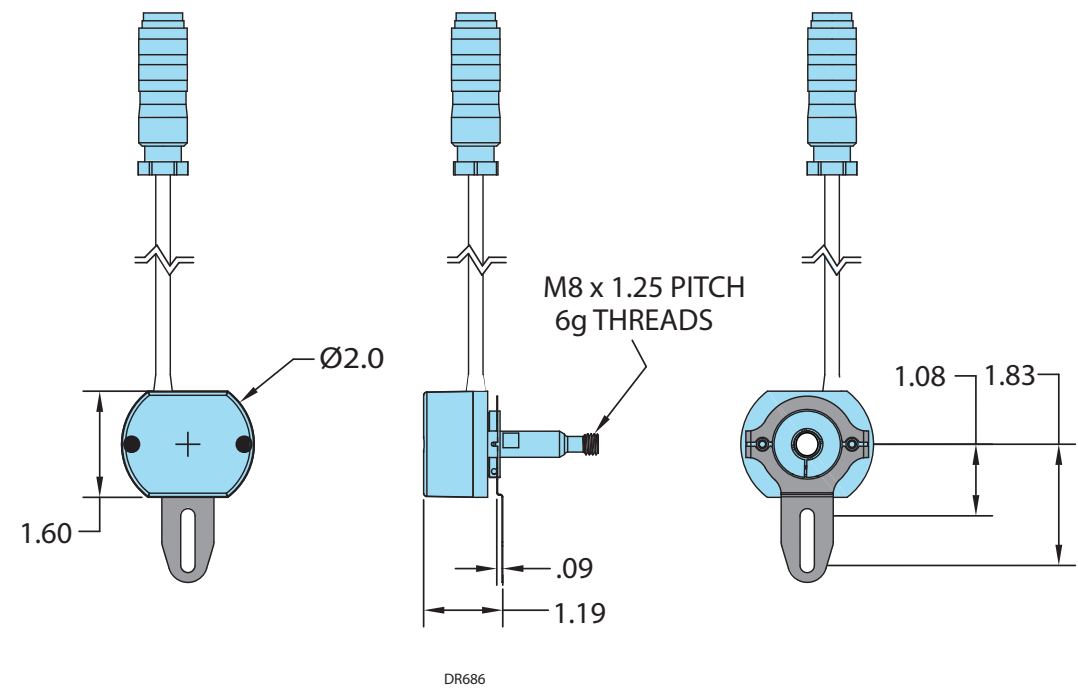


| DR686 WIRING |            |
|--------------|------------|
| PIN          | FUNCTION   |
| A            | CHANNEL B' |
| B            | +VDC       |
| C            | CHANNEL Z  |
| D            | CHANNEL Z' |
| E            | CHANNEL A  |
| F            | CHANNEL A' |
| G            | +VDC       |
| H            | CHANNEL B  |
| J            | N/C        |
| K            | COMMON     |
| L            | COMMON     |
| M            | +VDC       |



| REVISIONS |                       |          |
|-----------|-----------------------|----------|
| REV       | DESCRIPTION           | DATE     |
| 00        | ENGINEERING PROTOTYPE | XX/XX/XX |
|           |                       |          |
|           |                       |          |



|                          |                           |  |  |
|--------------------------|---------------------------|--|--|
| THIRD ANGLE PROJECTION   |                           | <a href="http://www.encoder.com">www.encoder.com</a> |  |
| DIMENSIONS ARE IN INCHES |                           | APPROVALS  | DATE   |
| ISSUE DATE<br>XX/XX/XX   | TOLERANCES                | DRAWN<br>TLM   | 09/11/07   |
| NEXT ASSEM.<br>XXX       | DECIMAL<br>$\pm .005$     | CHECKED  | NAME AND TITLE<br>DIRECT REPLACEMENT FOR SIEMENS 1XP8001-1<br>OR -2 (SPEC 686) |
| PREV. ASSEM.<br>XXX      | DECIMAL<br>$\pm .01$      | RESP ENG   | DWG NUMBER<br><b>DR686</b>   |
| PART NUMBER<br>XXXXXX    | ANGULAR<br>$\pm .1^\circ$ | MFG ENG  | REV.<br><b>00</b>  |
|                          |                           | QUAL ENG   | DWG SIZE <b>B</b> SCALE <b>NONE</b> SHEET <b>1</b> OF <b>1</b>                 |