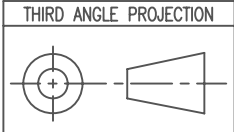
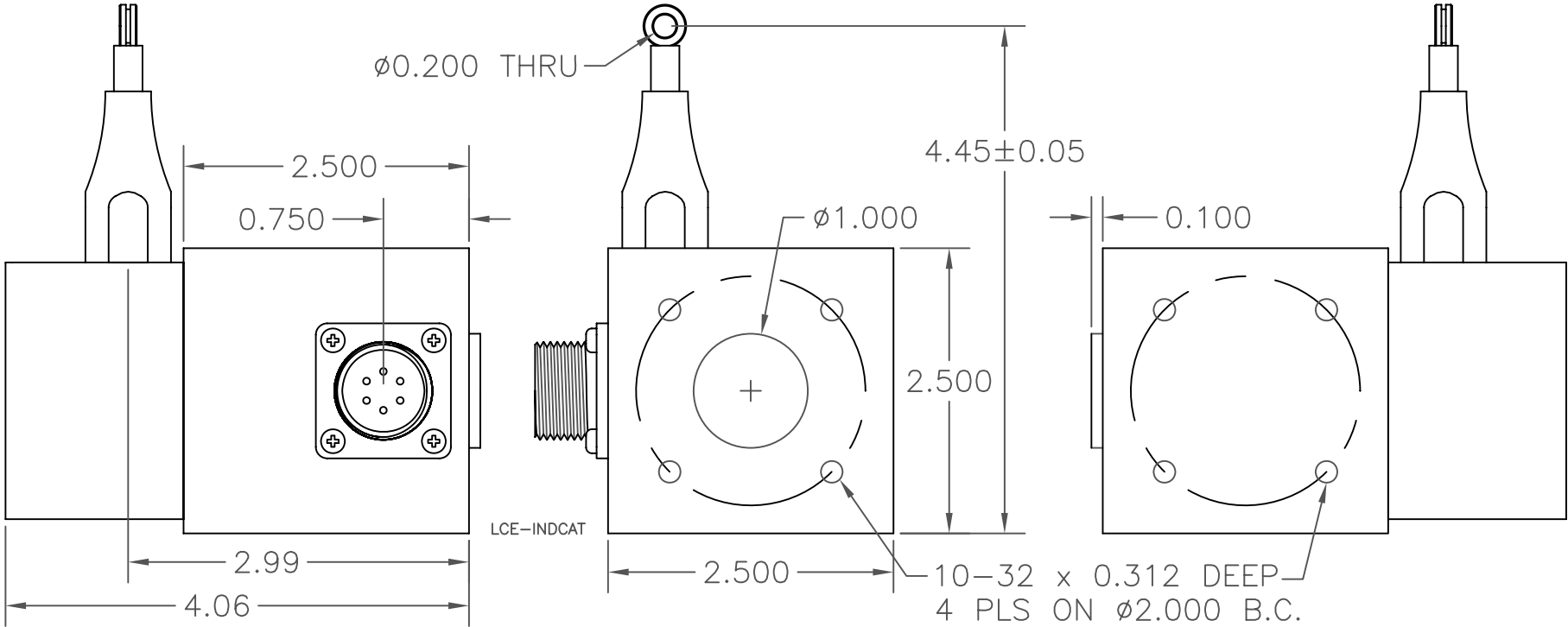


REVISIONS					
LTR	DESCRIPTION	CHK	DATE	APPR	DATE
-	INITIAL RELEASE				



ISSUE DATE M/D/Y	TOLERANCE	ENCODER PRODUCTS COMPANY			
NEXT ASSEMBLY	DECIMAL ± .005	INITIAL	DATE	NAME AND TITLE	
PREV ASSEMBLY	DECIMAL ± .01	DR SBR	5/6/03	INDUSTRIAL LCE CATALOG DWG.	
PART NUMBER EPC P/N	ANGULAR ± .1°	CK	QC	DWG NUMBER	REV.
		MFG	PRJ ENG	LCE-INDCAT	-
		DWG SIZE	B	SCALE	NONE
		SHEET	1 OF	1	1