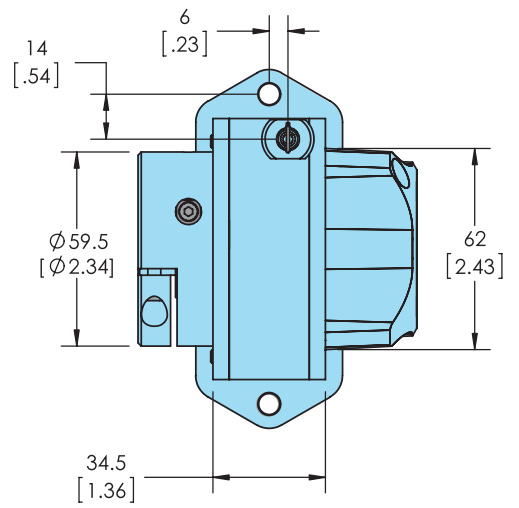
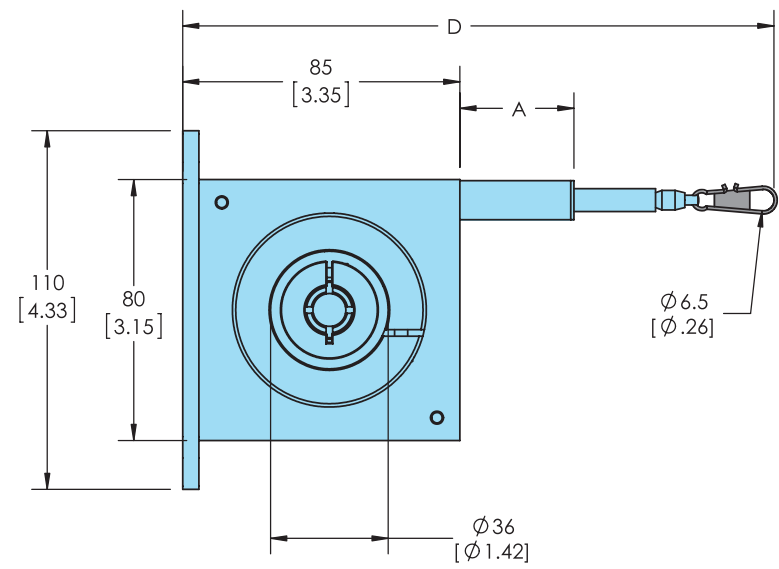
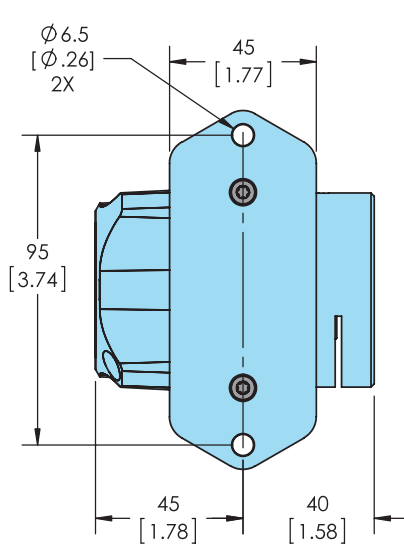


REVISIONS		
REV.	DESCRIPTION	DATE
A	INITIAL RELEASE PER ECO 07905.JP	6/5/2020
B	TITLE BLOCK UPDATE PER ECO 07934.JP	9/9/2020



Measurement Range	A	D
1000/1500/2000 [39.37/59.06/78.74]	21 [.83]	$\approx$ 166 [6.54]
2500/3000 [98.43/118.11]	35 [1.38]	$\approx$ 180 [7.09]

NOTES:  
 1. Primary dimensions are in mm, secondary dimensions [inches] in brackets for reference only.

THIRD ANGLE PROJECTION		<b>ENCODER</b> PRODUCTS COMPANY <a href="http://www.encoder.com">www.encoder.com</a>	
APPROVALS		DATE	NAME AND TITLE
DRAWN: MJW	CHECKED:	04/23/20	LCX80 CATALOG DRAWING
ISSUE DATE: 6/5/2020	TOLERANCES	RESP ENG:	DWG. NO. LCX80
NEXT ASSEM.:	DECIMAL $\pm .13$	MFG ENG:	REV. B
PREV. ASSEM.:	DECIMAL $\pm .3$	QUAL ENG:	SCALE: NONE
PART NUMBER:	ANGULAR $\pm 1$		DWG. SIZE: B
			SHEET 1 OF 1