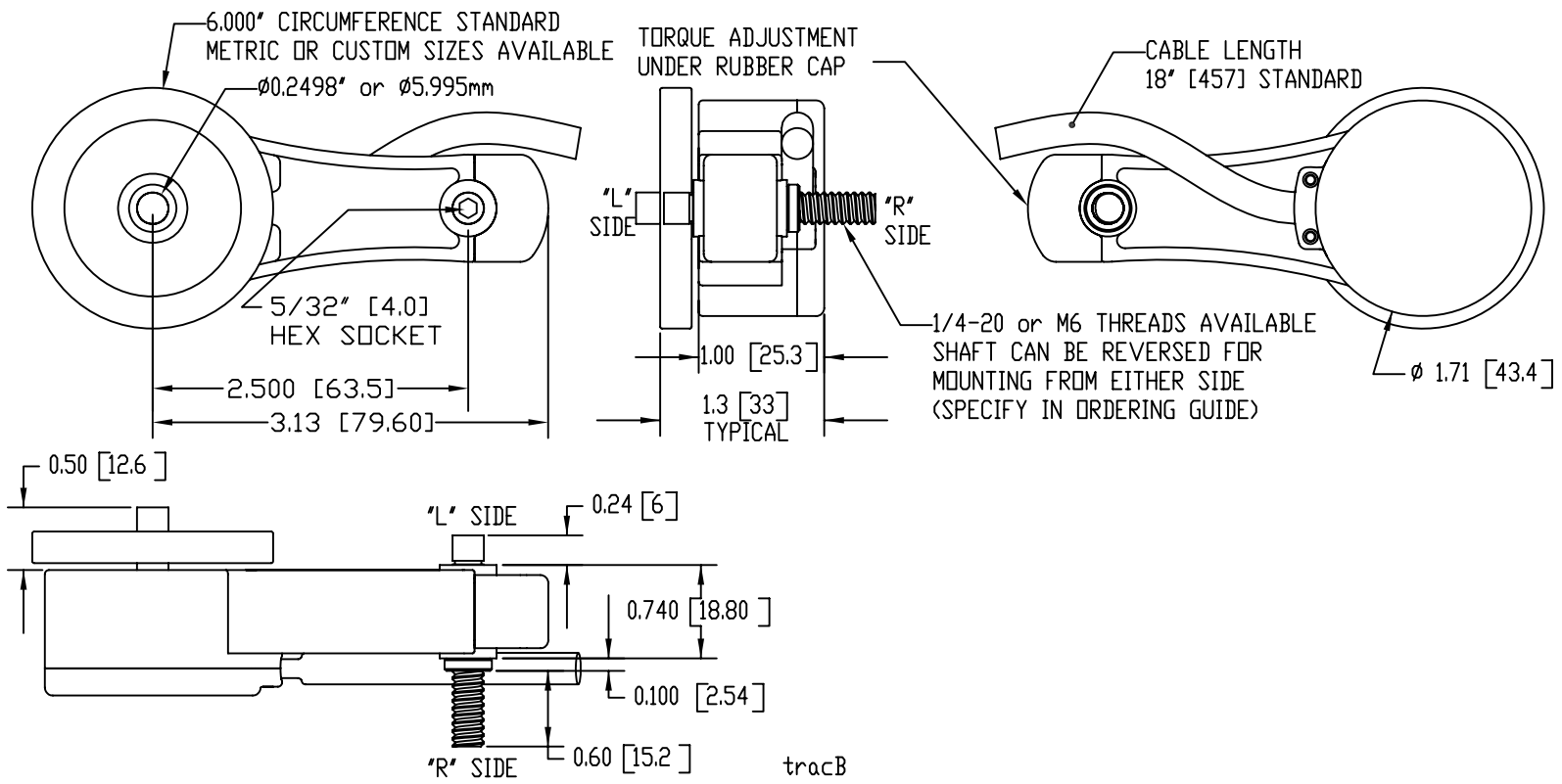


REVISIONS			
REV.	DESCRIPTION	DATE	APPROVED
---	INITIAL RELEASE		
A	CHANGED SOME DIMENSION LOCATIONS		
B	CHANGED PIVOT ARM BOLT HEAD		



THIRD ANGLE PROJECTION		ENCODER PRODUCTS COMPANY			
		APPROVALS	DATE	NAME AND TITLE	
DIMENSIONS ARE IN INCHES		J. Meschko	10/25/04	Model TR1	
ISSUE DATE	TOLERANCES	CHECKED		DWG. NO.	REV.
XXX/XXX/XXX	DECIMAL $\pm .005$			trac-01	B
NEXT ASSEM	DECIMAL $\pm .01$	RESP. ENG.			
PREV. ASSEM	ANGULAR $\pm 1$	WFG. ENG.			
PART NUMBER		QUAL. ENG.		SCALE: NONE	DWG. SIZE: B
0				SHEET 1 OF 1	