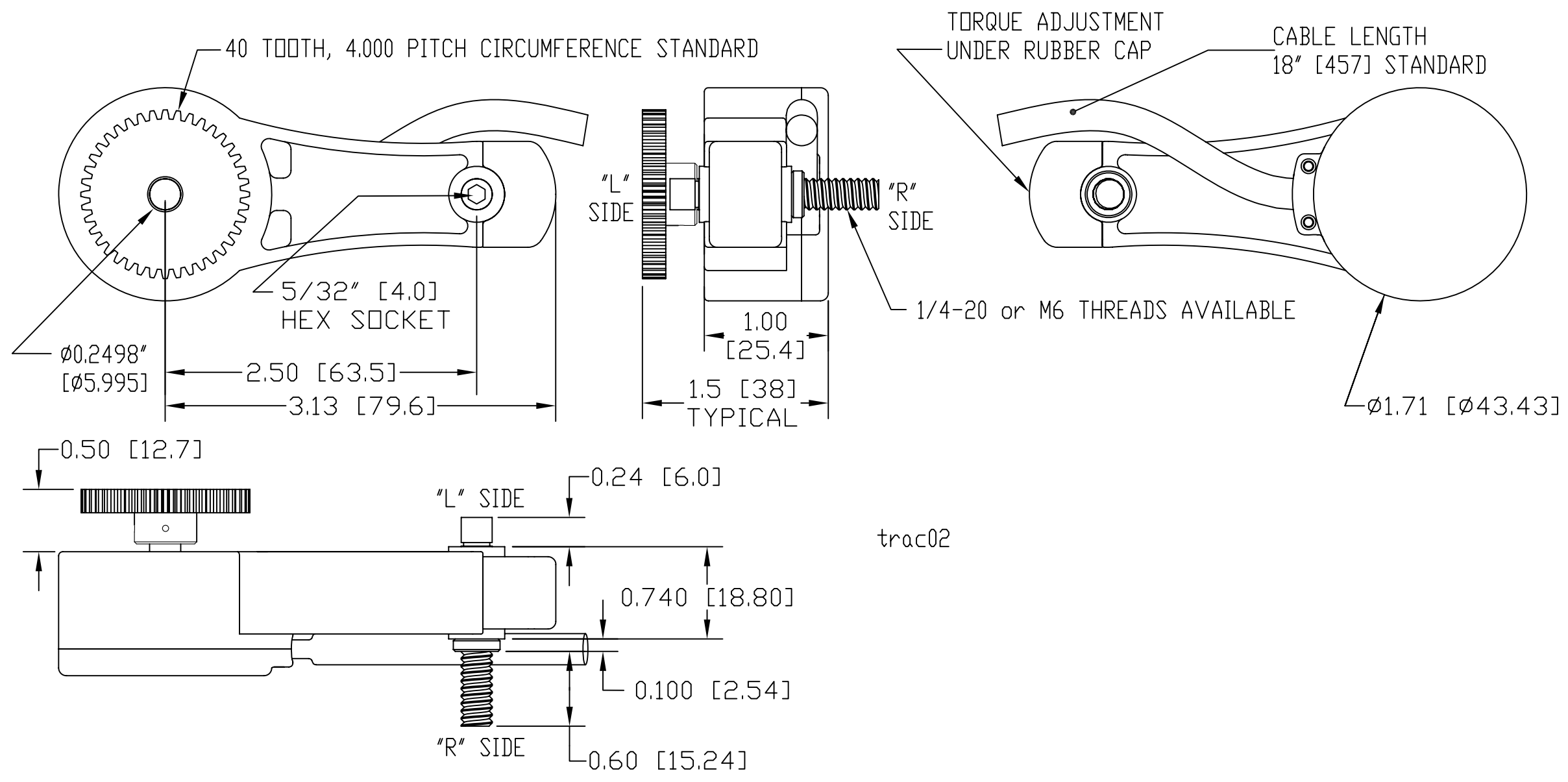


REVISIONS		
REV.	DESCRIPTION	DATE
--	INITIAL RELEASE	9/06
A	ECD 05526 NNP	06/11/08



THIRD ANGLE PROJECTION		ENCODER PRODUCTS COMPANY		
		APPROVALS	DATE	NAME AND TITLE
DIMENSIONS ARE IN INCHES		DRAWN	8/25/06	Model TR2
ISSUE DATE: 09/01/06	TOLERANCES	CHECKED		
NEXT ASSEM.	DECIMAL ± .005	RESP ENG		DWG. NO. trac-02
PREV. ASSEM.	DECIMAL ± .01	MFG ENG		REV. A
PART NUMBER	ANGULAR ± 1	QUAL ENG		SCALE: NONE DWG. SIZE: B SHEET 1 OF 1