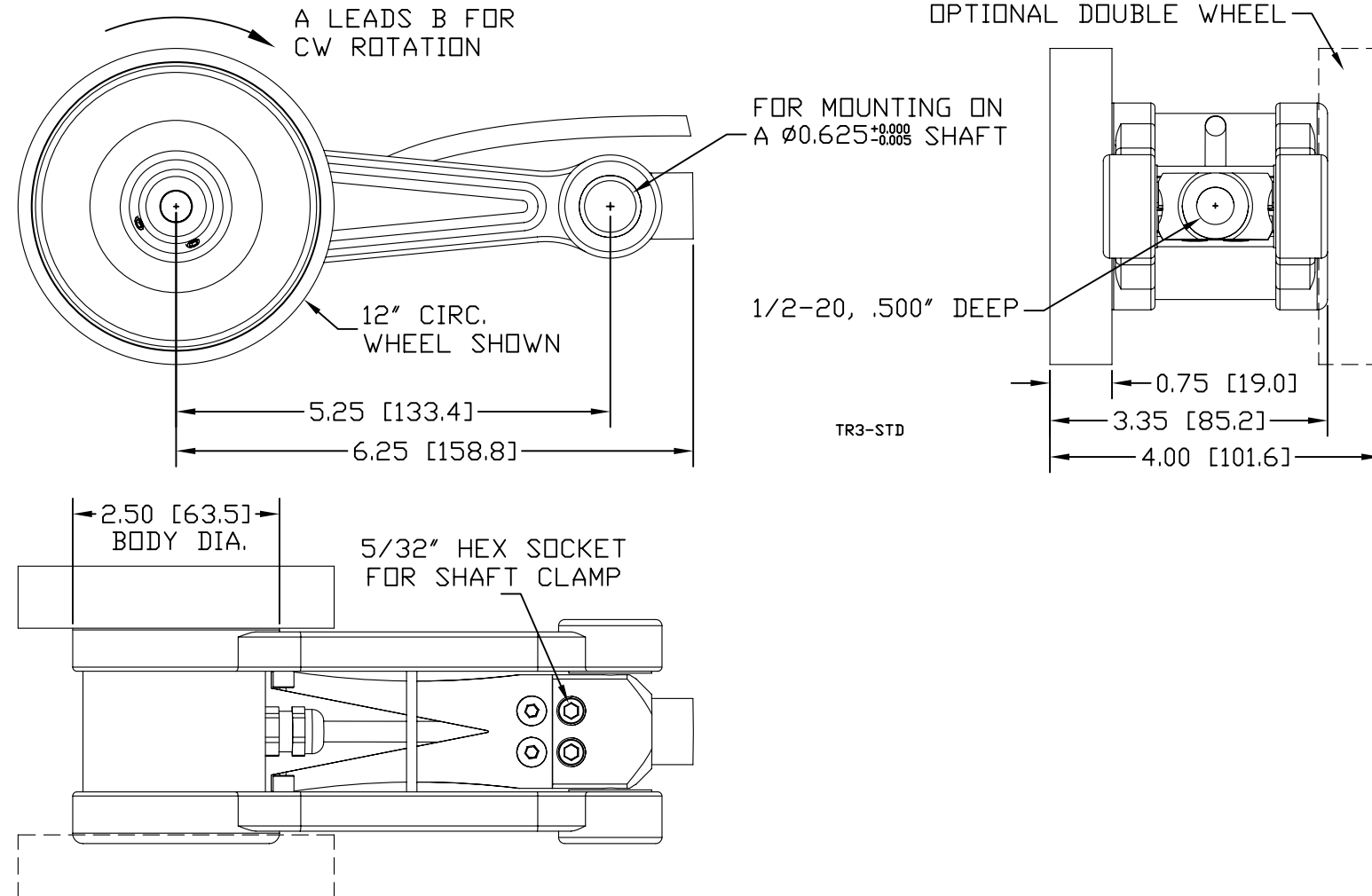


REVISIONS		
REV.	DESCRIPTION	DATE
00	PRELIMINARY RELEASE	DATE
01	ADDED A LEADS B, REMOVED 12" CIRC. STD	



NOTES: UNLESS OTHERWISE SPECIFIED

1. MATERIAL:
2. FINISH: NONE
3. BREAK ALL SHARP EDGES

THIRD ANGLE PROJECTION				ENCODER PRODUCTS COMPANY		www.encoder.com	
APPROVALS		DATE		NAME AND TITLE			
DRAWN		SBR		09/25/09		TR3 STANDARD CATALOG VIEWS	
ISSUE DATE: xx/xx/xx		TOLERANCES		CHECKED			
NEXT ASSEM. XXX		DECIMAL ± .005		RESP ENG		DWG. NO. TR3-STD	
PREV. ASSEM. XXX		DECIMAL ± .01		MFG ENG		REV. 01	
PART NUMBER <>		ANGULAR ± 1		QUAL ENG		SCALE: NONE DWG. SIZE: B SHEET 1 OF 1	