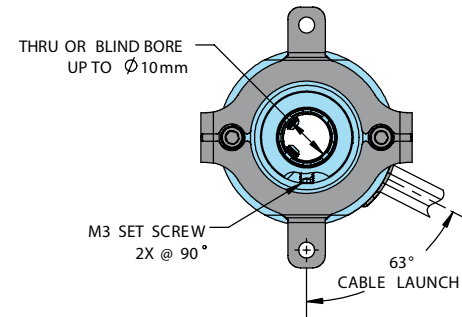
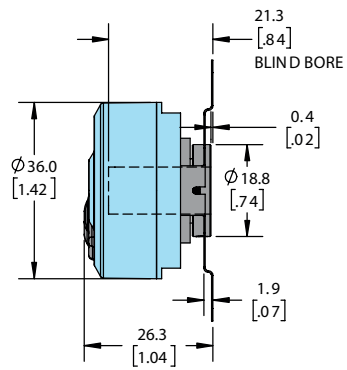
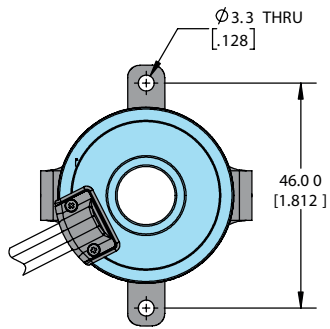


REVISIONS		
REV.	DESCRIPTION	DATE
A	INITIAL RELEASE PER ECO 08625 JP	10/19/23



THIRD ANGLE PROJECTION		ENCODER PRODUCTS COMPANY		www.encoder.com
		APPROVALS	DATE	NAME AND TITLE
DIMENSIONS ARE IN INCHES		DRAWN JTP	9/26/23	MODEL A36R, 46mm, 2-HOLE FLEX MOUNT
ISSUE DATE: 10/19/23	TOLERANCES	CHECKED	RESP ENG	DWG. NO. 36R-saflex
NEXT ASSEM.	DECIMAL ± .005			REV. A
PREV. ASSEM.	DECIMAL ± .01			
PART NUMBER	ANGULAR ± 1		QUAL ENG	SCALE: NONE DWG. SIZE: B SHEET 1 OF 1