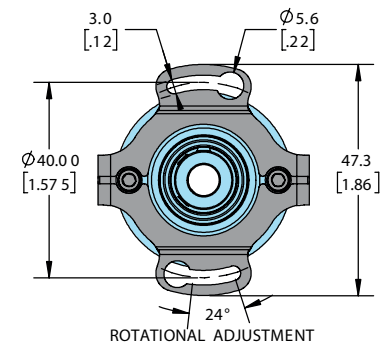
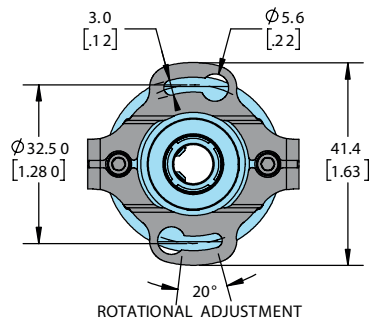
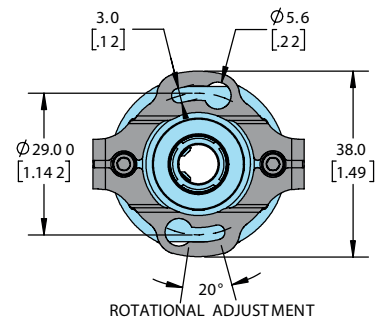


8 7 6 5 4 3 2 1

REVISIONS		DATE
REV. A	DESCRIPTION: INITIAL RELEASE PER ECO 0 8625 JP	10/19/23



THIRD ANGLE PROJECTION		ENCODER PRODUCTS COMPANY www.encoder.com	
APPROVALS		DATE	NAME AND TITLE
DRAWN: JTP		9/26/23	MODEL A36R, 29mm, 32.5mm, 40mm, FLEX MOUNT
ISSUE DATE: 10/19/23		CHECKED:	DWG. NO. 36R-sbcdflex
NEXT ASSEM.:		RESP. ENG.:	REV. A
PREV. ASSEM.:		MFG. ENG.:	
PART NUMBER:		QUAL. ENG.:	SCALE: NONE DWG. SIZE: B SHEET 1 OF 1