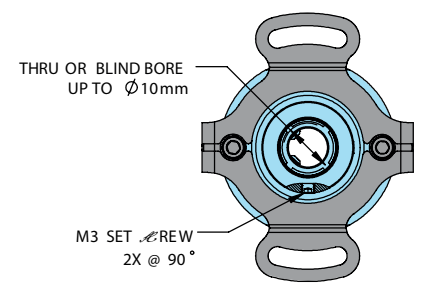
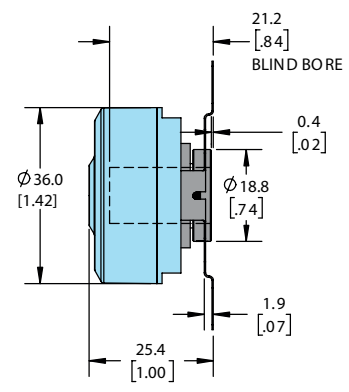
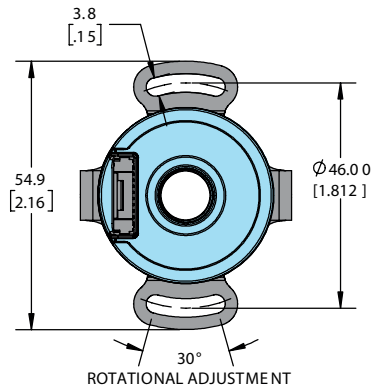


REVISIONS		
REV.	DESCRIPTION	DATE
A	INITIAL RELEASE PER ECO 08625 JP	10/19/23



THIRD ANGLE PROJECTION		ENCODER PRODUCTS COMPANY		www.encoder.com	
DIMENSIONS ARE IN INCHES		APPROVALS	DATE	NAME AND TITLE	
ISSUE DATE:	TOLERANCES	DRAWN	CHECKED	MODEL A36R, 46mm, SLOTTED FLEX MOUNT	
10/19/23	DECIMAL ± .005	JTP	9/26/23	DWG. NO. 36R-sfflex	
NEXT ASSEM.	DECIMAL ± .01	RESP ENG		SCALE: NONE	REV. A
PREV. ASSEM.	ANGULAR ± 1	MFG ENG		DWG. SIZE: B	SHEET 1 OF 1
PART NUMBER		QUAL ENG			